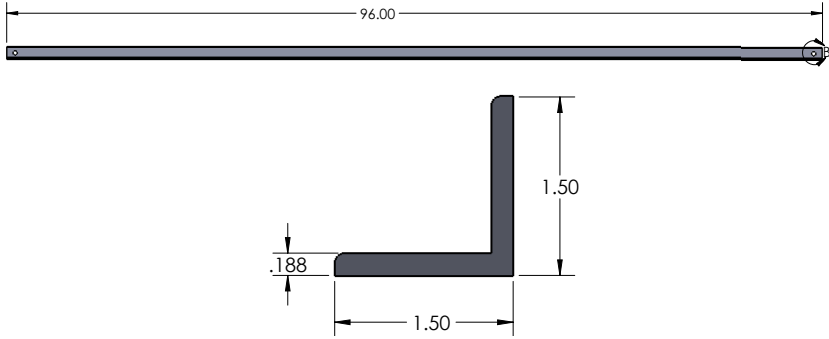


## Angle Brace



Part #	Description
GR-ANG-2X2-96-AL	Angle Brace for Seismic



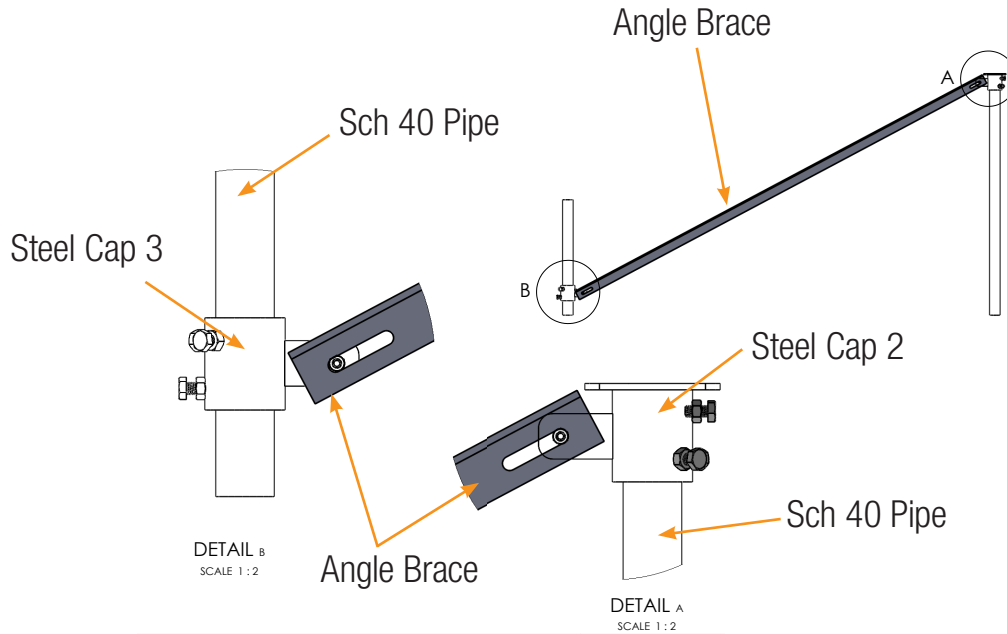
### Features:

- Weight: 8.715lb
- Material: Aluminum
- Hardware Material: 300 Series Stainless Steel
- Angle Brace for Seismic Activity



## Angle Brace

### Installation Overview



- Using Steel Cap 2 and 3, mount angle brace such that brace reaches top of post and bottom of the next post.
- Tighten using bolt assembly.

### Completed Install

