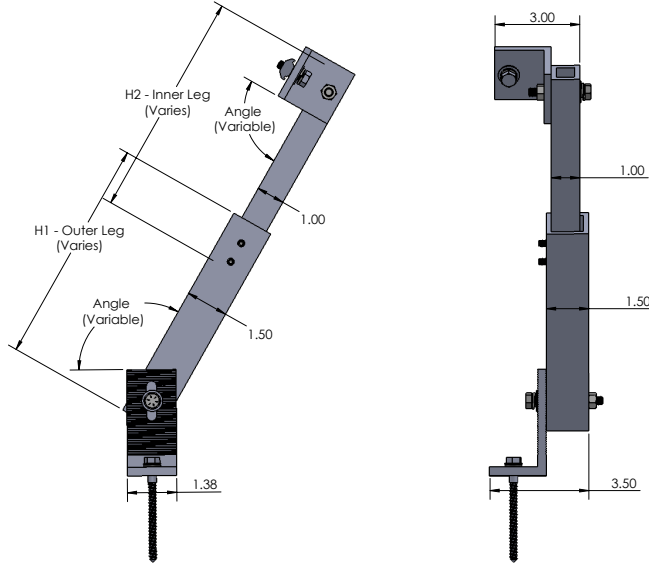


Adjustable Tilt - Rear Leg



Part #	Description
GR-AT-RL1015	Adjustable Tilt-Rear Leg 10-15"
GR-AT-RL1530	Adjustable Tilt-Rear Leg 15-30"
GR-AT-RL3060	Adjustable Tilt-Rear Leg 30-60"



Part #	H1 (in)	H2 (in)
GR-AT-RL1015	8	8
GR-AT-RL1530	14	14
GR-AT-RL3060	26	26

Features:

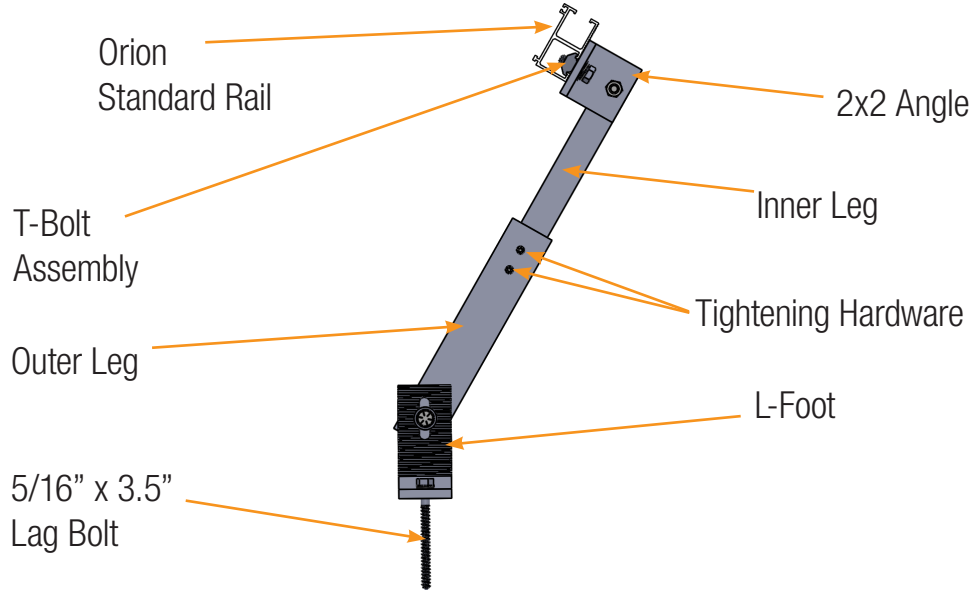
- Outer and Inner Leg Material: 6061 T6 Aluminum
- L-Foot and Angle Material: 6063 T5 Aluminum
- Hardware Material: 300 Series Stainless Steel
- Weight:

Part #	Degree Tilt	Weight (lbs)
GR-AT-RL1015	10-15°	1.6
GR-AT-RL1530	15-30°	2.6
GR-AT-RL3060	30-60°	4.2



Adjustable Tilt - Rear Leg

Installation Overview



- Locate rafters and chalk horizontal and vertical lines to mark location of penetrations. Drill 1/4" holes and backfill with sealant.
- Take 5/16" x 3/5" lag bolt and tighten into rafter.
- Adjust outer and inner leg to desired tilt and angle. Tighten nut until legs lock in place.
- Use T-Bolt Assembly to attach rail to rear leg. Ensure that this aligns with front leg assembly

Completed Install



*Standoff optional

