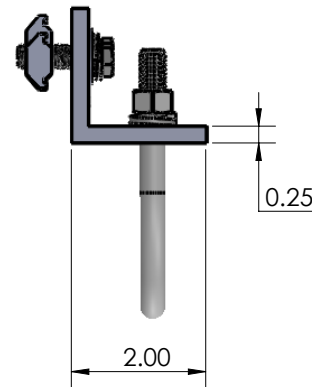
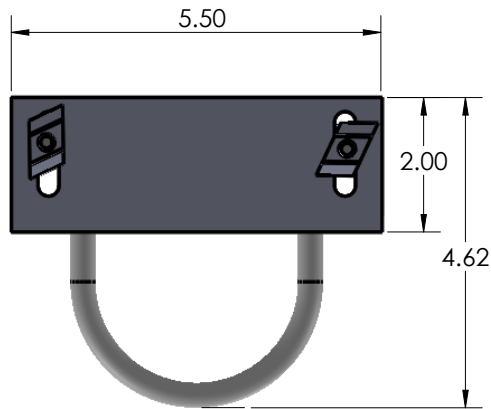


## Angle Splice Kit



| Part #    | Description      |
|-----------|------------------|
| GR-GM-ASK | Angle Splice Kit |



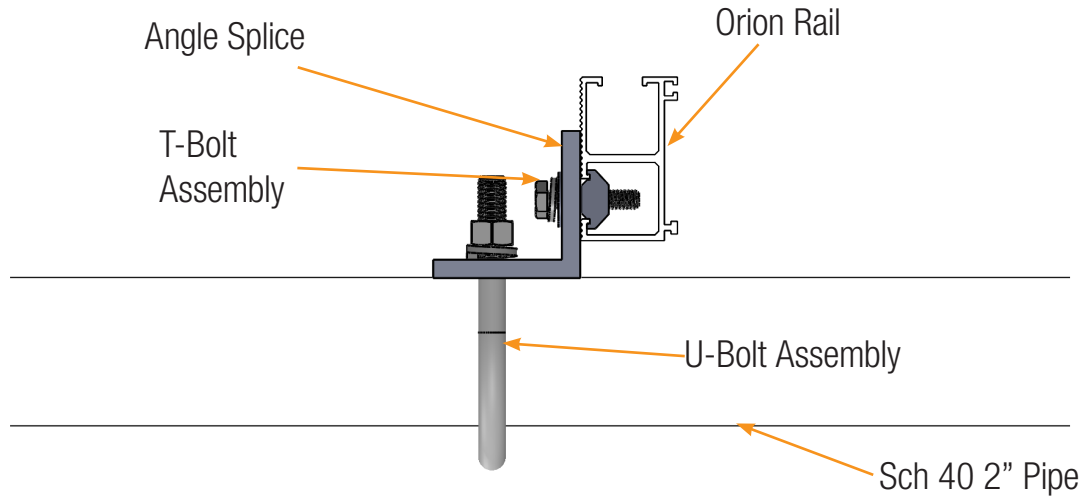
### Features:

- Weight: 1lb
- Material: 3000 Series Aluminum
- Hardware Material: 300 Series Stainless Steel
- Pre-Assembled: Fitted for 2" Diameter Pipes



## Angle Splice Kit

### Installation Overview



- Attach angle splice kit to schedule 40 pipe with U-Bolt Assembly.
- Use T-bolt assembly to attach Orion rail to angle splice kit.

### Completed Install

