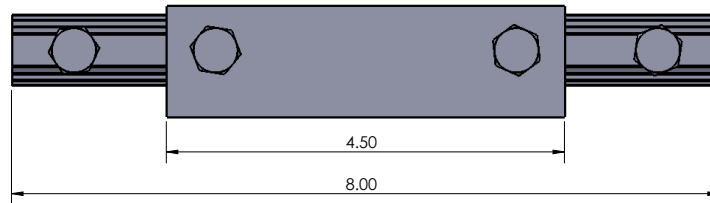
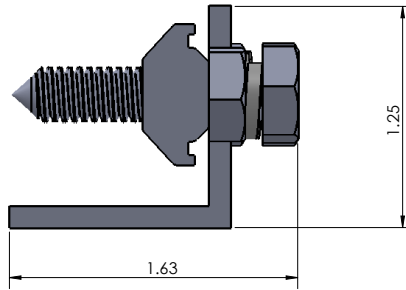


Grounding Splice Bar



Part #	Description	Finish
GR-SPL-G-CLR	Grounding Splice Bar	Clear
GR-SPL-G-BLK	Grounding Splice Bar	Black



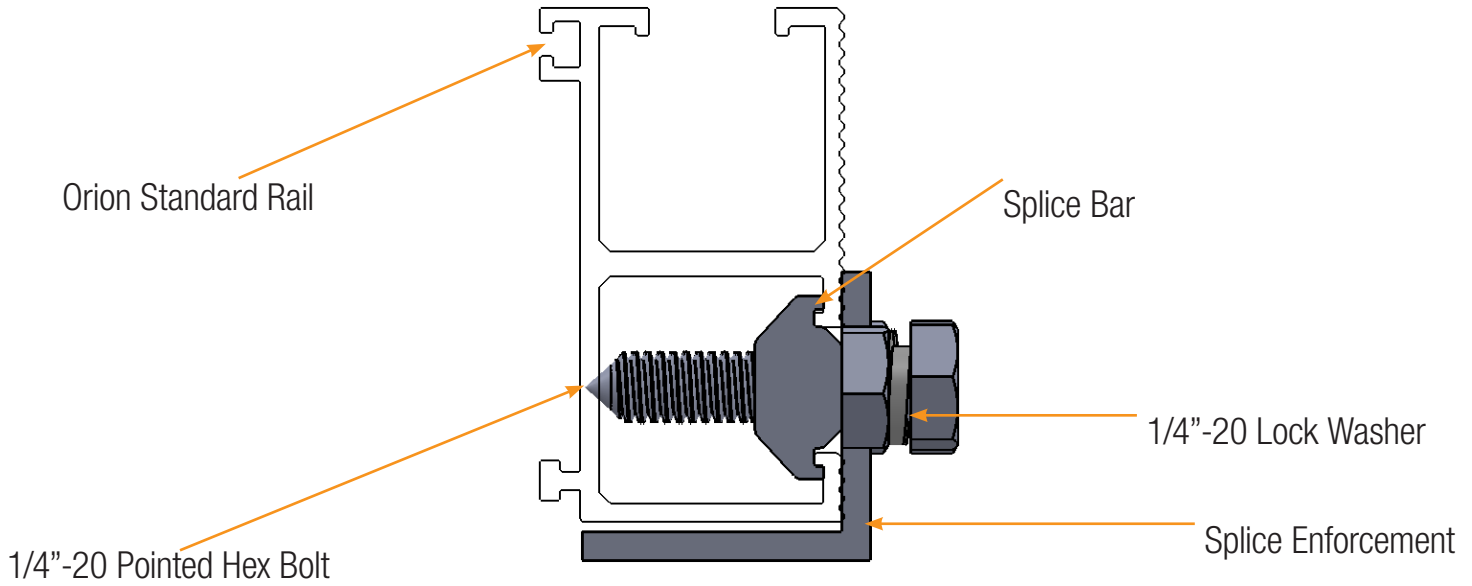
Features:

- Weight: 0.359lb (Including Hardware)
- Splice Bar Material: 6061 T6, 6063 T5 Aluminum
- Hardware Material: 300 series stainless steel
- Pre-Assembled
- Integrated Grounding System
- Conforms to UL STD 1703 and 2703

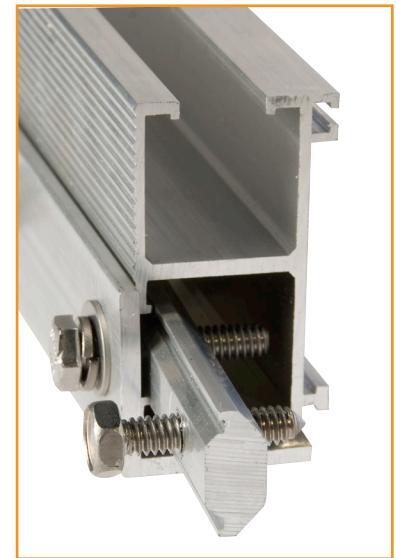


Grounding Splice Bar

Installation Overview



- Slide in Pre-assembled Splice Bar, such that the splice bar grooves “grab” the rail extrusion.
- Similarly, repeat with connecting rail until rails meet.
- Tighten Hex bolts to 90in-lb of Torque.



Completed Install

