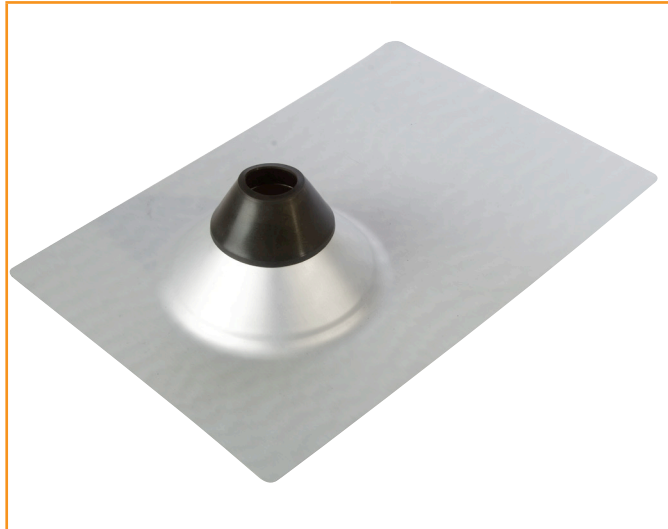
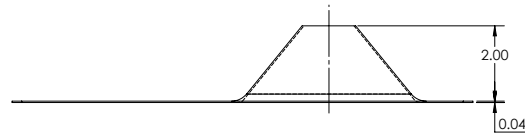
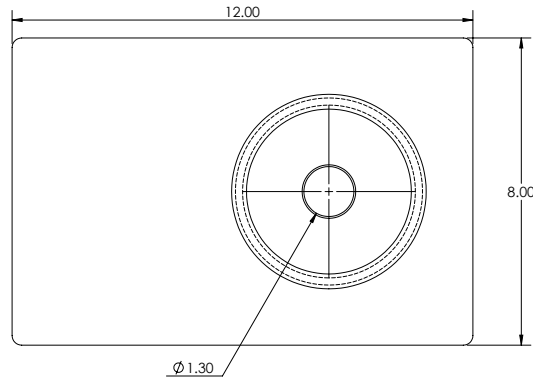


## High Rise Flashing



Part #	Description
GR-HRF	High Rise Flashing for Standoffs.



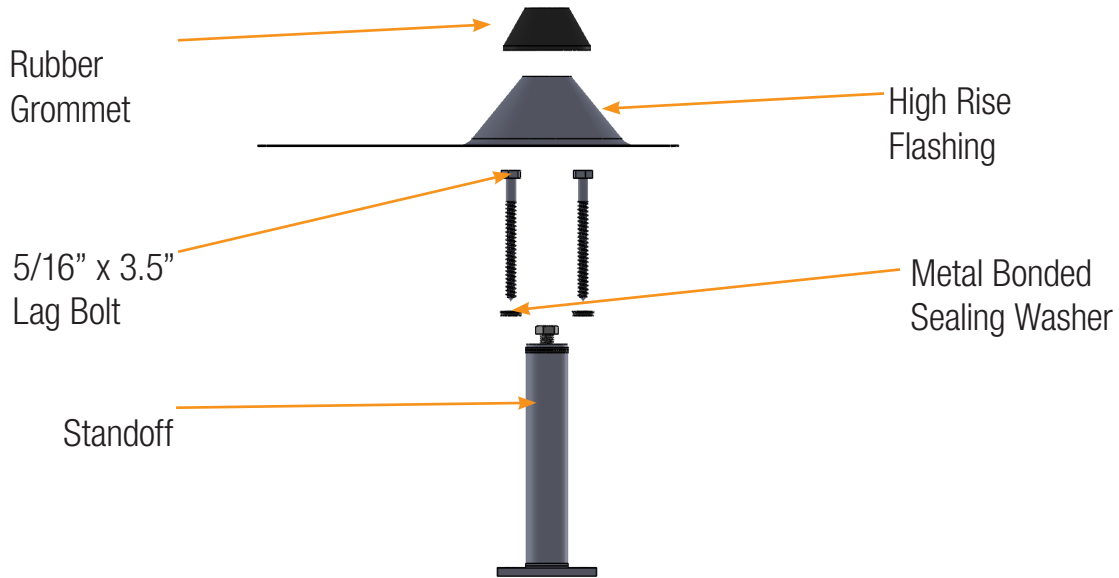
### Features:

- Weight: 0.38lb
- Material: 0 Temper Aluminum
- Rubber Grommet Included



## High Rise Flashing

### Installation Overview



- Locate rafters and chalk horizontal and vertical lines to mark location of penetrations. Drill 1/4" holes and backfill with sealant.
- Place standoff in desired location and take 5/16" x 3/5" lag bolt and tighten into rafter.
- Take High Rise Flashing and place over standoff, ensuring that at least half the flashing slides under composition shingle.
- Take rubber grommet and place over standoff, ensuring water-tight fit.

### Completed Install

