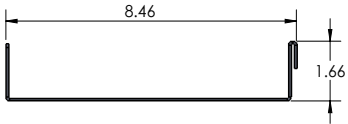
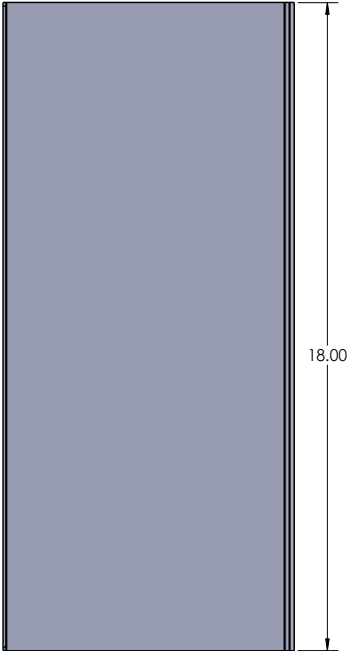


Side Ballast Tray



Part #	Description
OSB-SBT	Side Ballast Tray



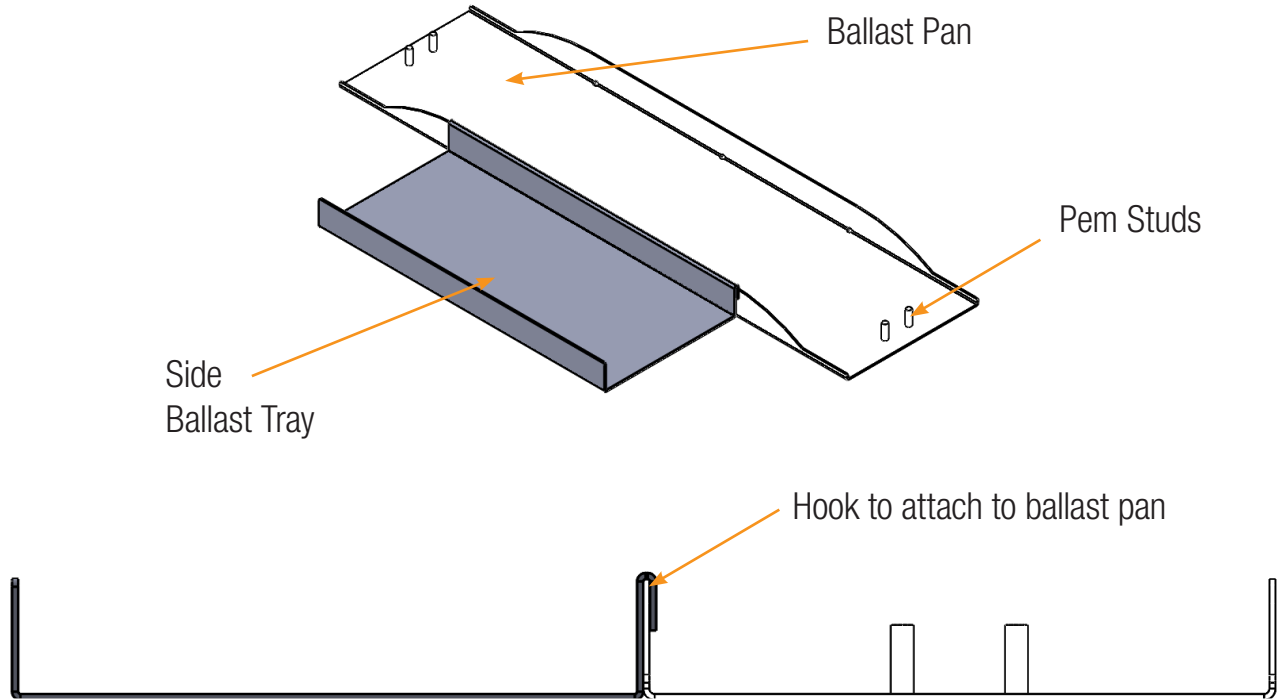
Features:

- Weight: 1.415 lbs
- Material: 5052 Aluminum
- Supports up to 4 8"x2"x16" cement blocks



Side Ballast Tray

Installation Overview



- When needed, secure to ballast pan with the insert.
- Place ballast blocks as needed.

