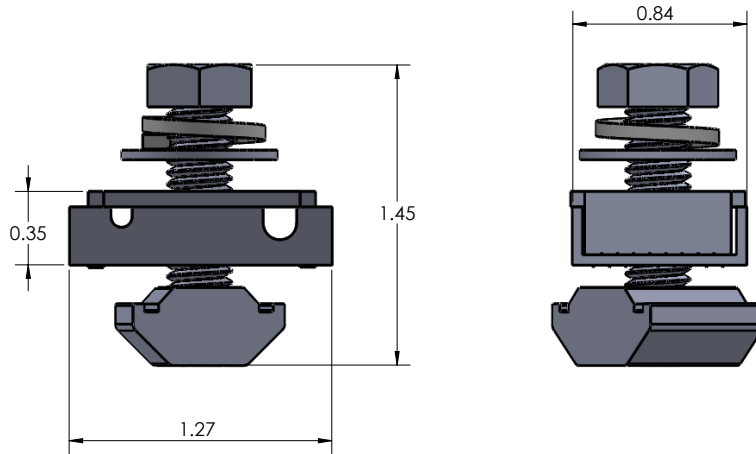
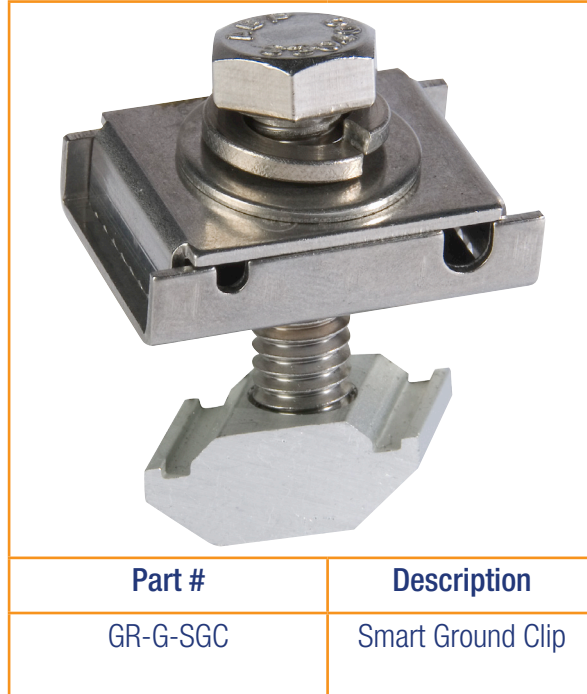


## Smart Ground Clip



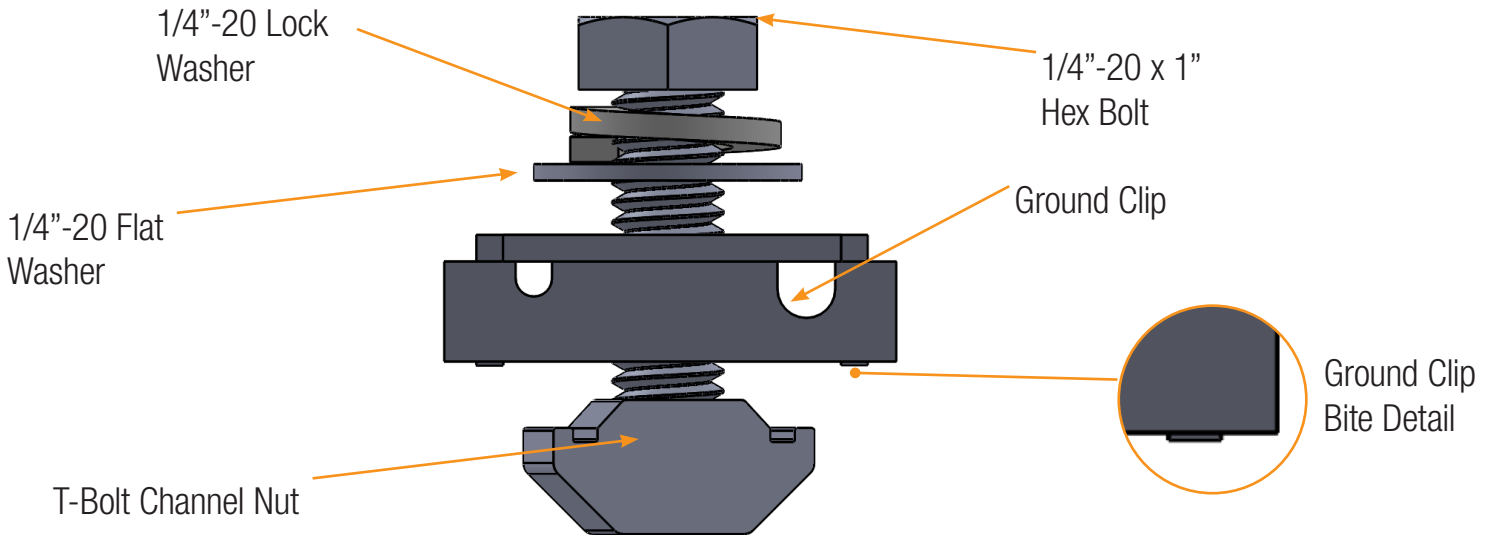
### Features:

- Weight: 0.0835lb
- Material: 300 Series Stainless Steel
- Pre-Assembled
- Integrated Grounding from Rail to Ground Wire
- Supports Gauge 6 or 10
- Conforms to UL STD 1703 and 2703



## Smart Ground Clip

### Installation Overview



- Place Smart Ground Clip at the end of rail at desired location.
- Thread grounding wire into chosen groove and string through.
- Ensuring that T-Bolt Channel Nut is correctly placed, tighten bolt to 35 in-lbs of torque.

### Completed Install

