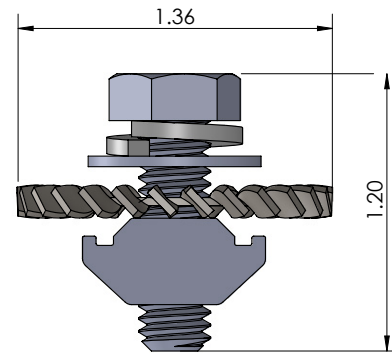
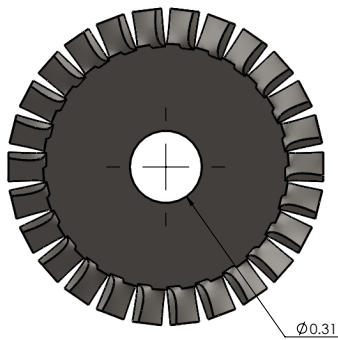
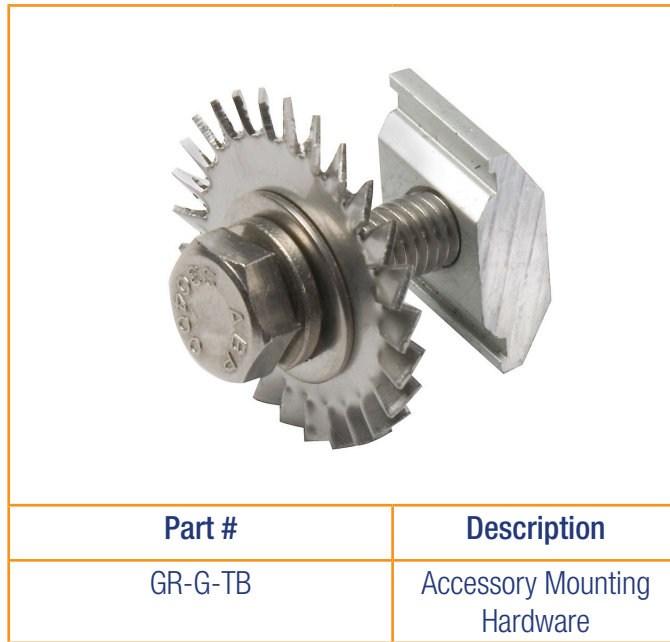


Solar Star *Accessory Mounting Hardware with Integrated Grounding*



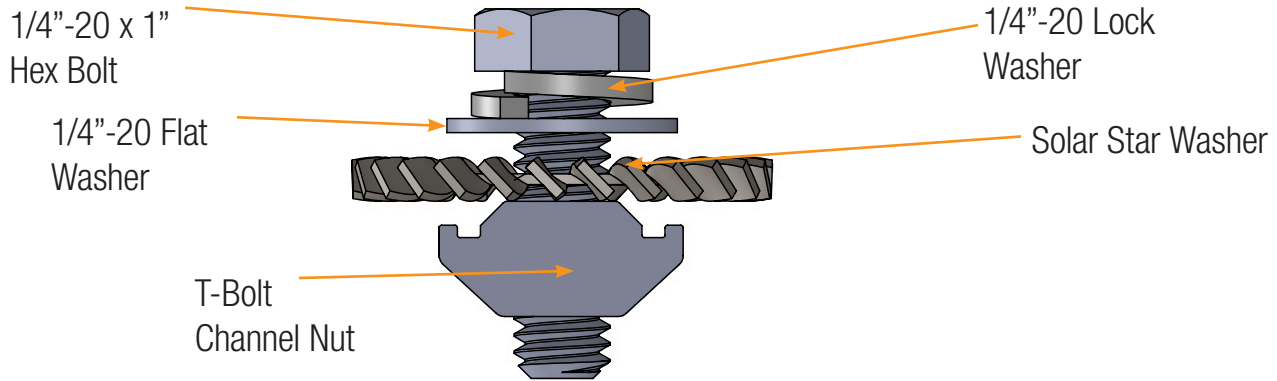
Features:

- Weight: 0.064lb
- Solar Star Washer Material: Stainless Steel, 300 Series
- Hardware Material: Stainless Steel, 300 Series
- T-Bolt Channel Nut: 6063 T5 Aluminum
- Recommended for Micro-Inverter and Optimizers



Solar Star Accessory Mounting Hardware with Integrated Grounding

Installation Overview



- Take Solar Star Assembly and insert to rail.
- Ensure that solar star is fitted between rail and plate.
- Tighten 1/4"-20 Bolt to 80 in-lb of torque.

Completed Install

