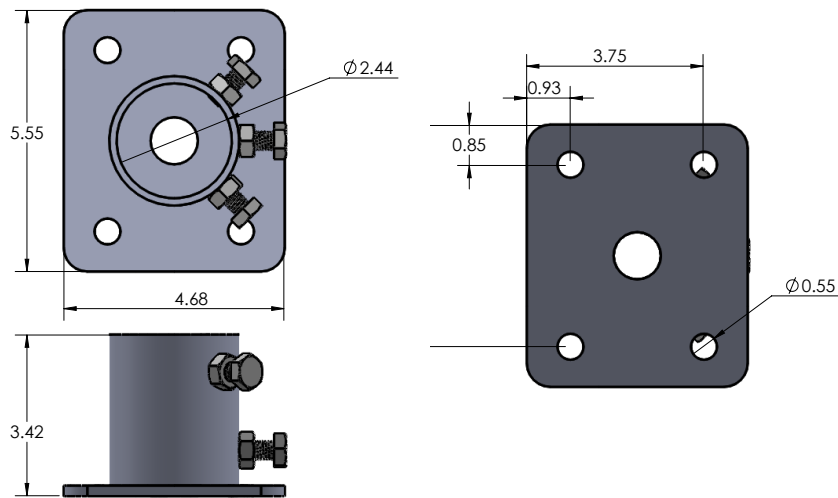


Steel Cap 1



Part #	Description
GR-GM-SC1	Steel Cap 1



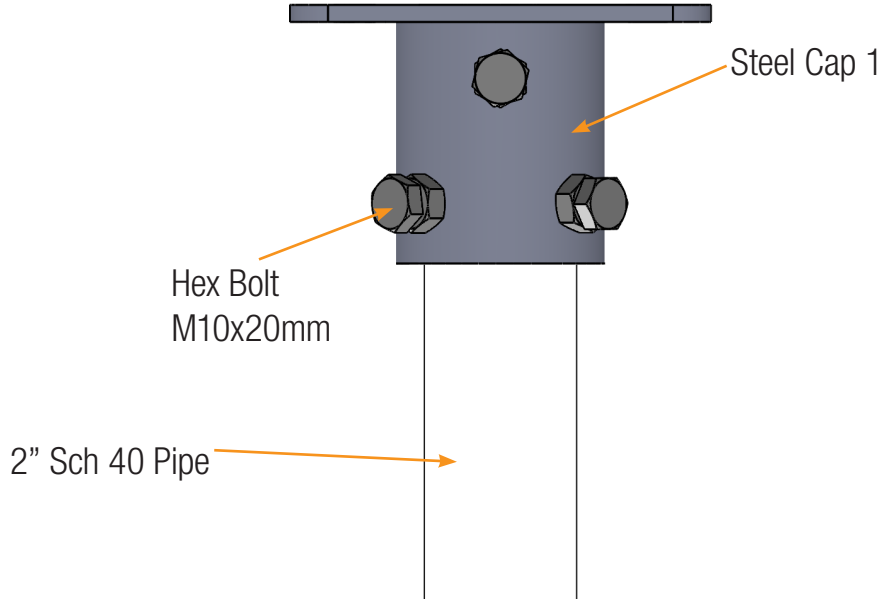
Features:

- Weight: 3.1lb
- Material: Hot Dipped Galvanized Steel
- Hardware Material: 300 Series Stainless Steel
- Pre-Assembled: Fitted for 2" Diameter Pipes



Steel Cap 1

Installation Overview



- After Sch 40 Pipes are installed, place steel Cap 1 atop pipe.
- Ensuring snug fit, tighten M10x20mm Hex Bolt to fasten pipe.

**Completed
Install**

