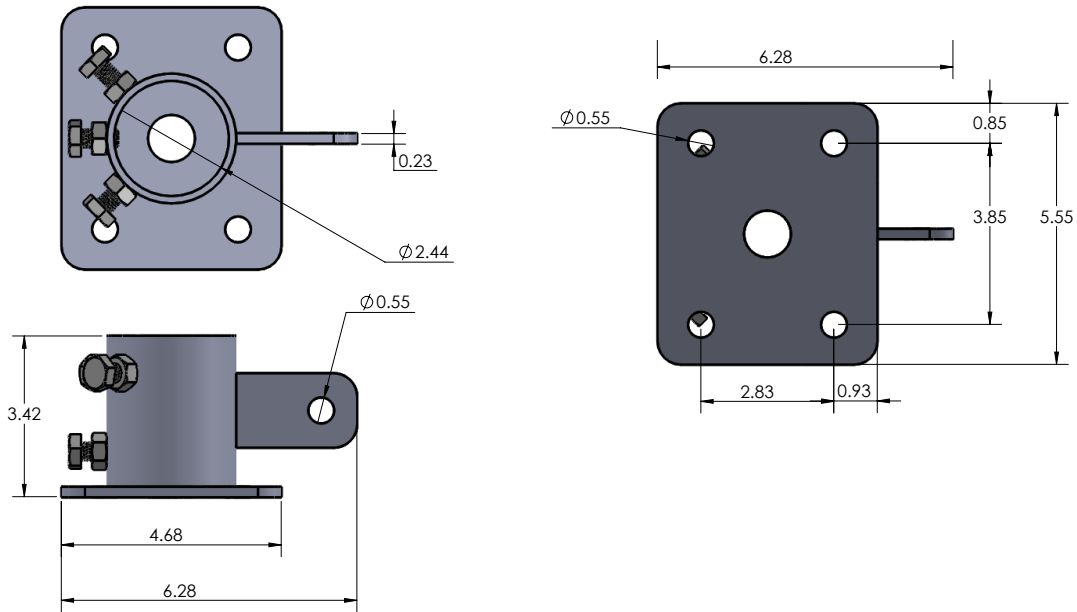


## Steel Cap 2



Part #	Description
GR-GM-SC2	Steel Cap 2, with Angle Brace Flange



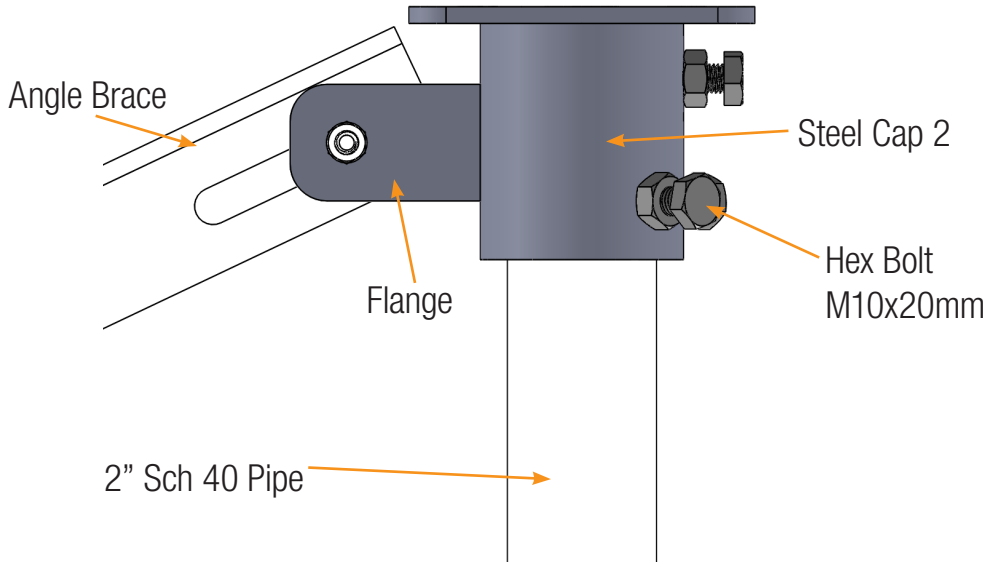
### Features:

- Weight: 3.39lb
- Material: Hot Dipped Galvanized Steel
- Hardware Material: 300 Series Stainless Steel
- Pre-Assembled: Fitted for 2" Diameter Pipes
- Flange to mount Angle Cross Brace for Seismic



## Steel Cap 2

### Installation Overview



- Slip Steel Cap 2 onto top of front vertical legs.
- Turn flange on steel Cap 2 to face the rear vertical legs.
- Secure the steel cap to Sch 40 Pipe using the three hex bolts on cap.

**Completed  
Install**

