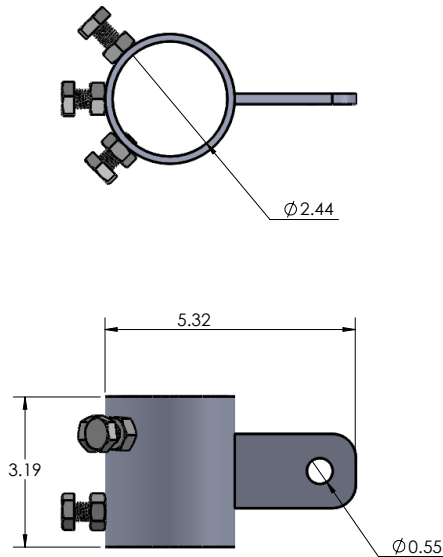


## Steel Cap 3



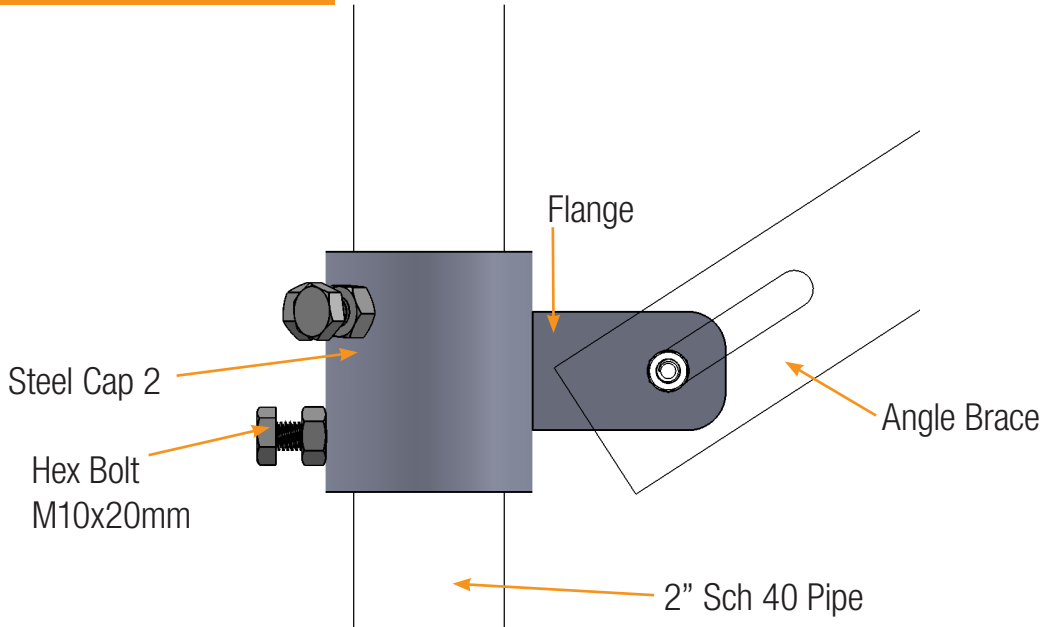
### Features:

- Weight: 1.66lb
- Material: Hot Dipped Galvanized Steel
- Hardware Material: 300 Series Stainless Steel
- Pre-Assembled: Fitted for 2" Diameter Pipes
- Flange to mount Angle Brace for Seismic



## Steel Cap 3

### Installation Overview



- Slip Steel Cap 3 onto top of front vertical legs.
- Turn flange on steel Cap 3 to face the front vertical legs.
- Secure the steel cap to Sch 40 Pipe using the three hex bolts on cap.

**Completed  
Install**

