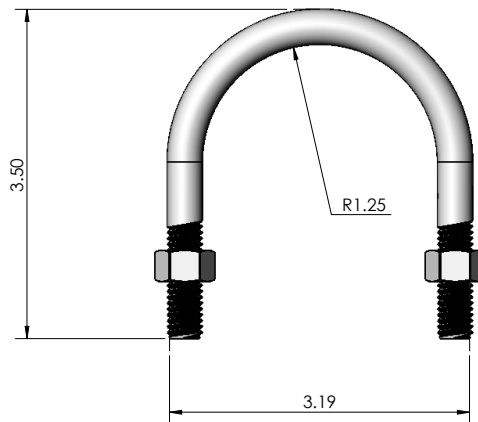


U-Bolt Assembly



Part #	Description
GR-GM-UB	U-Bolt Assembly for 2" Sch 40' Pipe



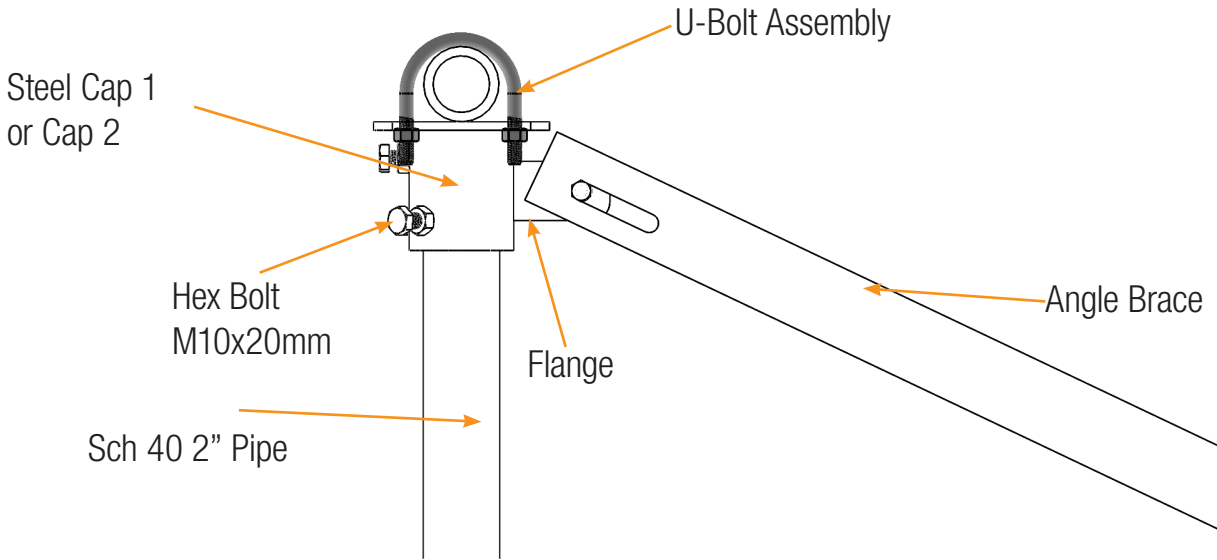
Features:

- Weight: 0.46lb
- Hardware Material: 300 Series Stainless Steel
- Pre-Assembled: Fitted for 2" Diameter Pipes



U-Bolt Assembly

Installation Overview



- Place schedule 40 2" pipe onto steel Cap 1 or Cap 2.
- Insert U-Bolt into holes on steel Cap 1 or Cap 2 over the top support pipe.
- Secure the pipe and U-Bolt to steel Cap1 or Cap 2 using the hex nuts.

**Completed
Install**

