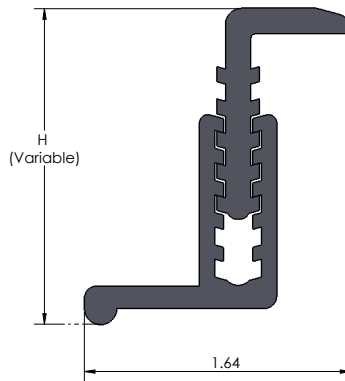
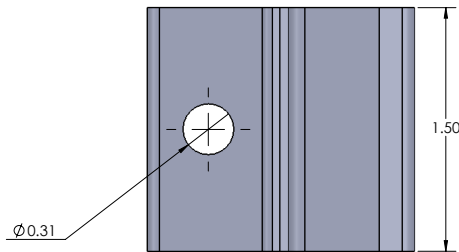


Universal End Clamp



Part #	Color
GR-EC-UNV-CLR	Clear
GR-EC-UNV-BLK	Black



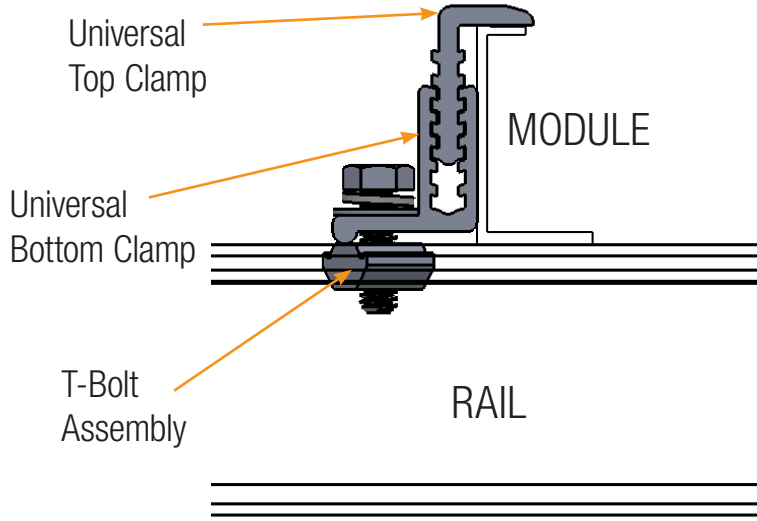
Features:

- Weight: 0.161lb
- Material: 6063 T5 Aluminum
- Hardware Material: 300 Series Stainless Steel
- Adjustable for standard framed module thicknesses ranging from 33-50mm
- Pre-assembled



Universal End Clamp

Installation Overview



- Measure module thickness and ensure that universal end clamp is adjusted to correct height.
- Place end clamps at end of modules at suggested span per module manufacturer's specification.
- Ensure that the channel nut grabs rail extrusion, and tighten hex bolt to 90 in-lbs of torque.

Completed Install

