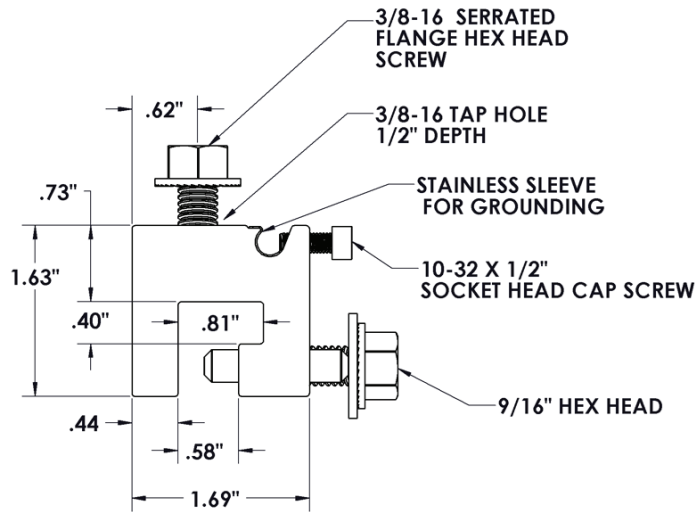


A2 Standing Seam Clamp



Part #	Description
GR-SSC-A2	Standing Seam Clamp, A2



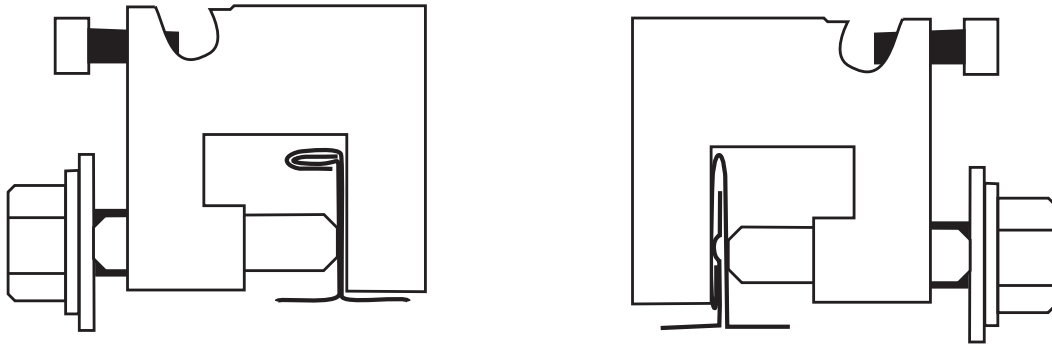
Features:

- Weight: 0.447lb
- Material: 6061 T6 Aluminum
- Hardware Material: 300 Series Stainless Steel



A2 Standing Seam Clamp

Installation Overview



- Tilt A2 Clamp so pins open to fit your roof profile.
- Position A2 Clamp on roof panel.
- Tighten A2 Clamp on roof panel with 9/16 socket to 195 in-lbs for steel and 165 in-lbs for aluminum.

