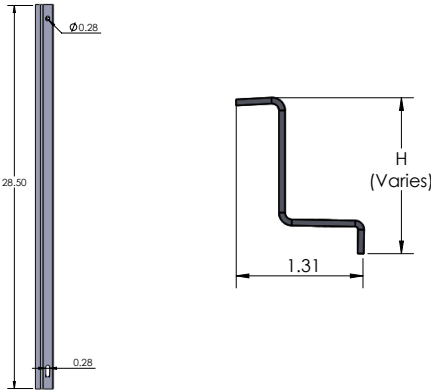


## End Plate



Part #	Module Thickness (mm)
OSB-EP-33	33
OSB-EP-35	35
OSB-EP-40	40
OSB-EP-45	45
OSB-EP-46	46
OSB-EP-50	50
OSB-EP-XX	XX



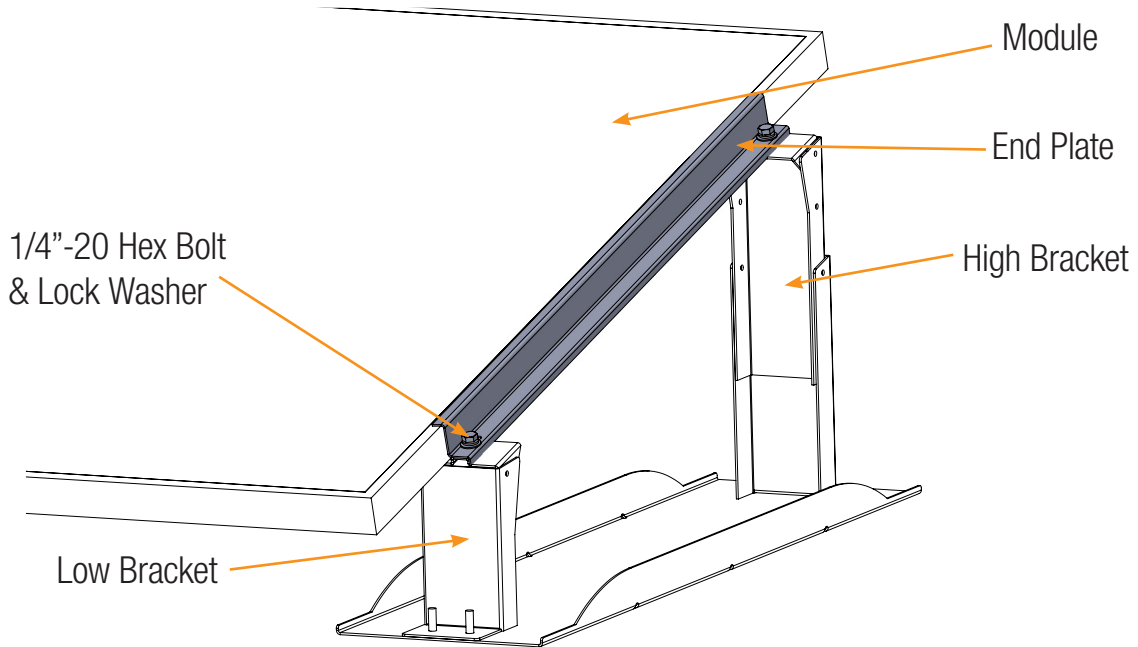
### Features:

- Weight: 0.51lb
- Material: 5052 Aluminum
- Hardware Material: 300 Series Stainless Steel



## End Plate

### Installation Overview



- Lay out module atop brackets.
- Take end plate and ensure snug fit.
- Tighten bolts to 144 in-lbs of torque.

### Completed Install

