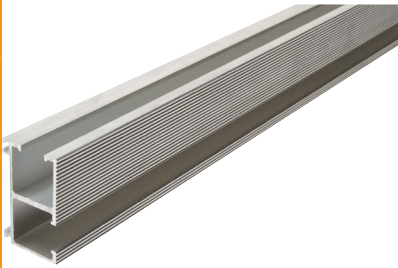
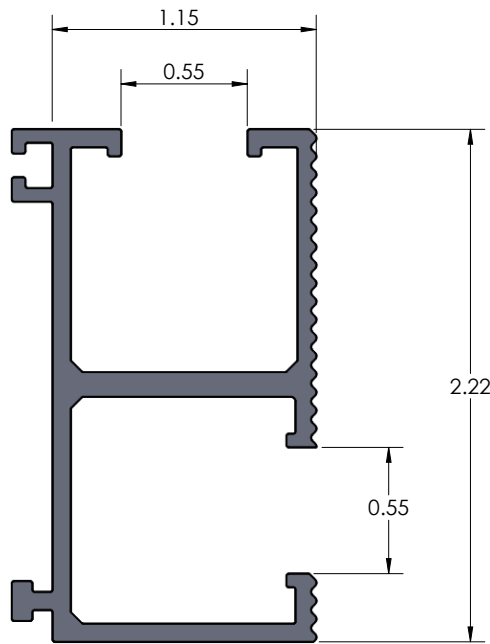


Orion Standard Rail

	Part #	Length	Finish
	GR-R-STD-85-MILL	85	Mill
	GR-R-STD-132-MILL	132	
	GR-R-STD-170-MILL	170	
	GR-R-STD-208-MILL	208	
	GR-R-STD-85-CLR	85	Anodized Clear
	GR-R-STD-132-CLR	132	
	GR-R-STD-170-CLR	170	
	GR-R-STD-208-CLR	208	
	GR-R-STD-85-BLK	85	Anodized Black
	GR-R-STD-132-BLK	132	
	GR-R-STD-170-BLK	170	
GR-R-STD-208-BLK	208		



Features:

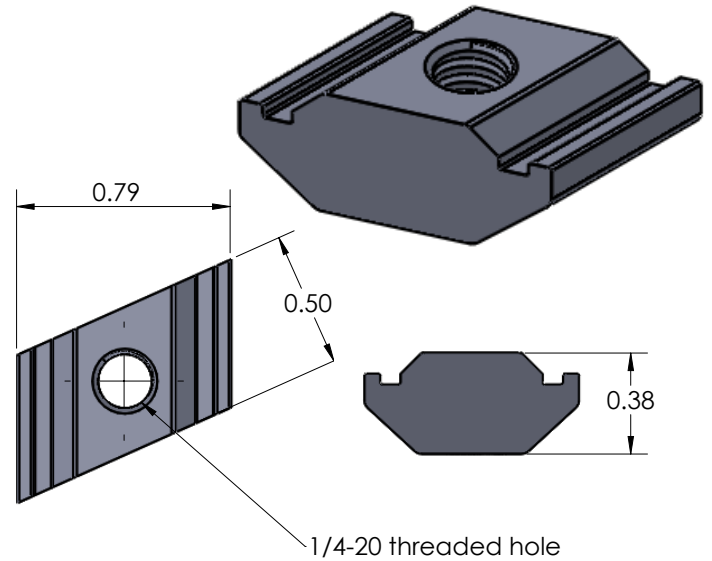
- 6005 T5 Aluminum
- Available in Mill, Clear Anodized, or Black Anodized
- Conforms to UL STD 1703 and 2703
- Weight:

Length	Weight (lbs)
85	5.01
132	7.78
179	10.02
208	12.25

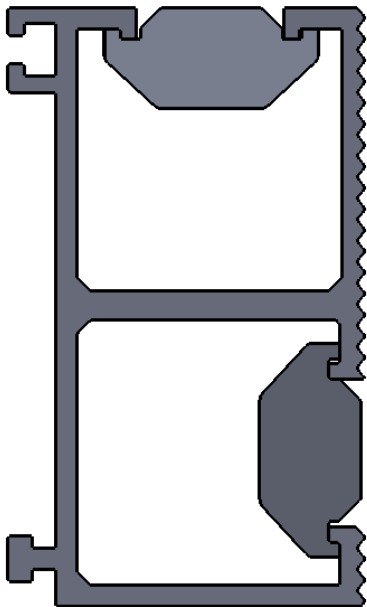


Orion Standard Rail

- Diamond Shaped Channel Nut exclusively for our rail.
- All attachments will use this channel nut.
- 6063 T5 Aluminum



Rail Span Chart



GROUND SNOW LOAD (PSF)	ORION RACKING MAX. RAIL SPAN (FT) FOR ROOF ZONE 1*					
	EXPOSURE B WIND SPEEDS (MPH)			EXPOSURE C WIND SPEEDS (MPH)		
	110	130	150	110	130	150
0	8	6	4	6	6	4
10	8	6	4	6	6	4
20	6	6	4	6	6	4
30	6	6	4	6	4	2
40	6	6	4	6	4	2
50	6	6	4	6	4	2
60	6	6	4	6	4	2
70	4	6	4	4	4	2
80	4	6	4	4	4	2
90	2	6	4	2	4	2

* Maximum Building Height Considered = 30 ft

GROUND SNOW LOAD (PSF)	ORION RACKING MAX. RAIL SPAN (FT) FOR ROOF ZONE 2*					
	EXPOSURE B WIND SPEEDS (MPH)			EXPOSURE C WIND SPEEDS (MPH)		
	110	130	150	110	130	150
0	6	6	4	6	4	2
10	6	6	4	6	4	2
20	6	6	4	6	4	2
30	6	6	4	6	4	2
40	6	6	4	6	4	2
50	6	6	4	6	4	2
60	6	6	4	6	4	2
70	4	6	4	4	4	2
80	4	6	4	4	4	2
90	2	6	4	2	4	2

* Maximum Building Height Considered = 30 ft