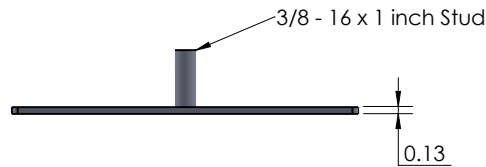
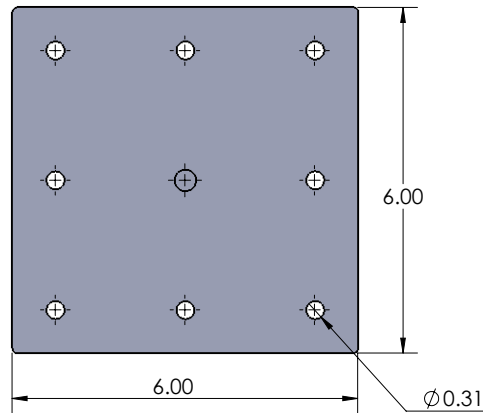


## Seismic Attachment Plate



Part #	Finish
OSB-SAP	Seismic Attachment Plate



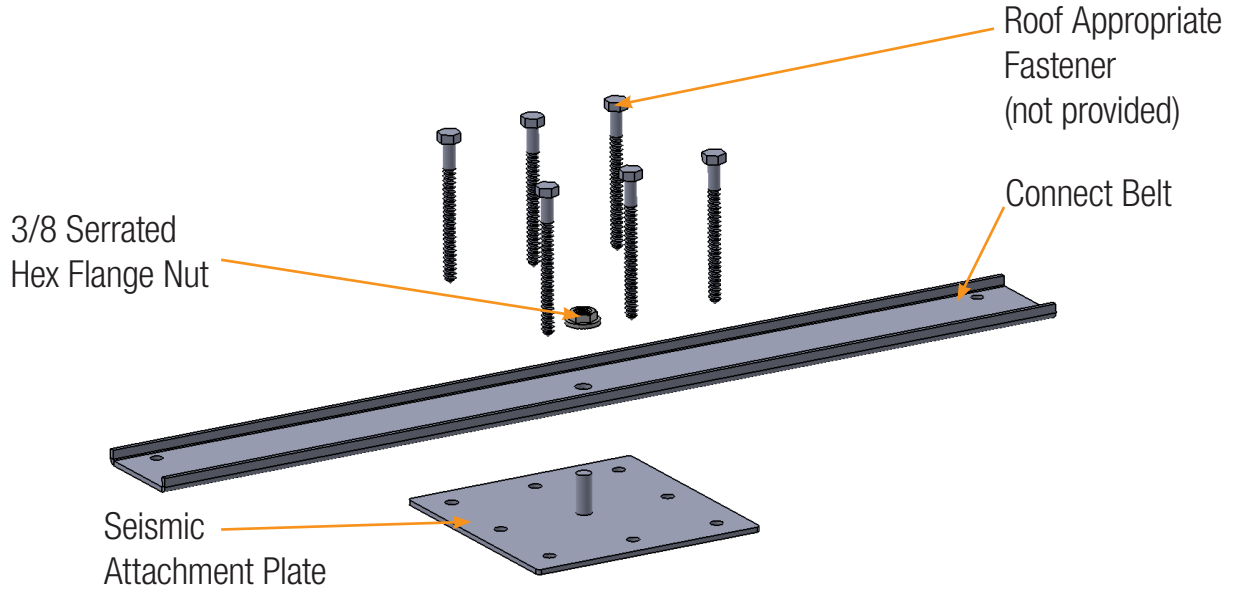
### Features:

- Weight: 0.442lb
- Material: 5052 Aluminum
- Hardware Material: 300 Series Stainless Steel
- Pem Stud for Mounting



## Seismic Attachment Plate

### Installation Overview



- Where required, place seismic attachment plate underneath connect belt and fasten with 3/8 serrated nut.
- Drill roof-appropriate fastener through seismic plates into roof.

### Completed Install

