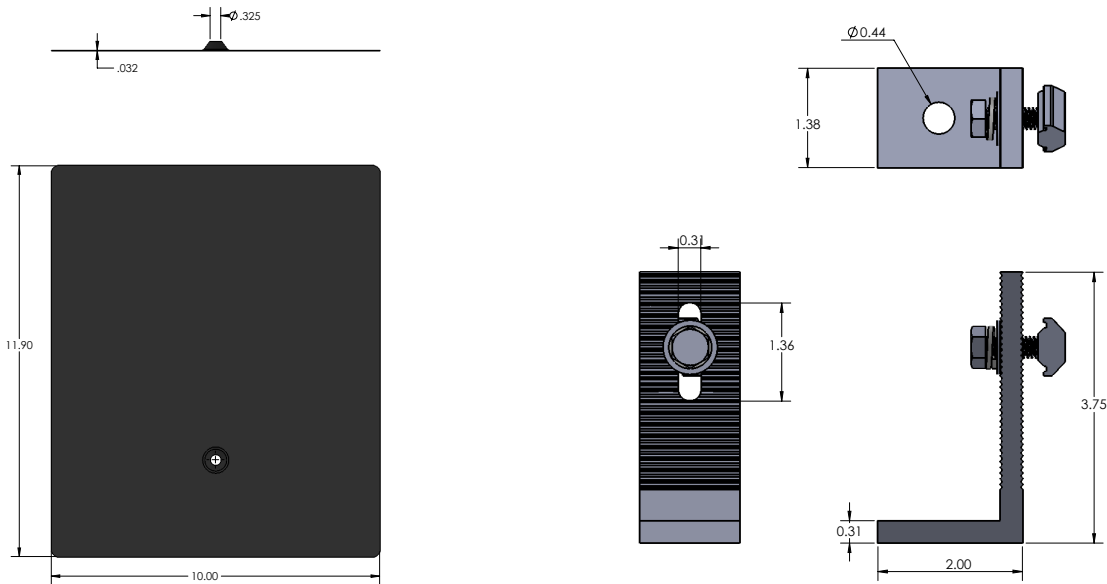


Shingle Roof Flashing Kit



Part #	Finish
GR-FLA-SM-LFT-10X12-CLR	Clear
GR-FLA-SM-LFT-10X12-BLK	Black



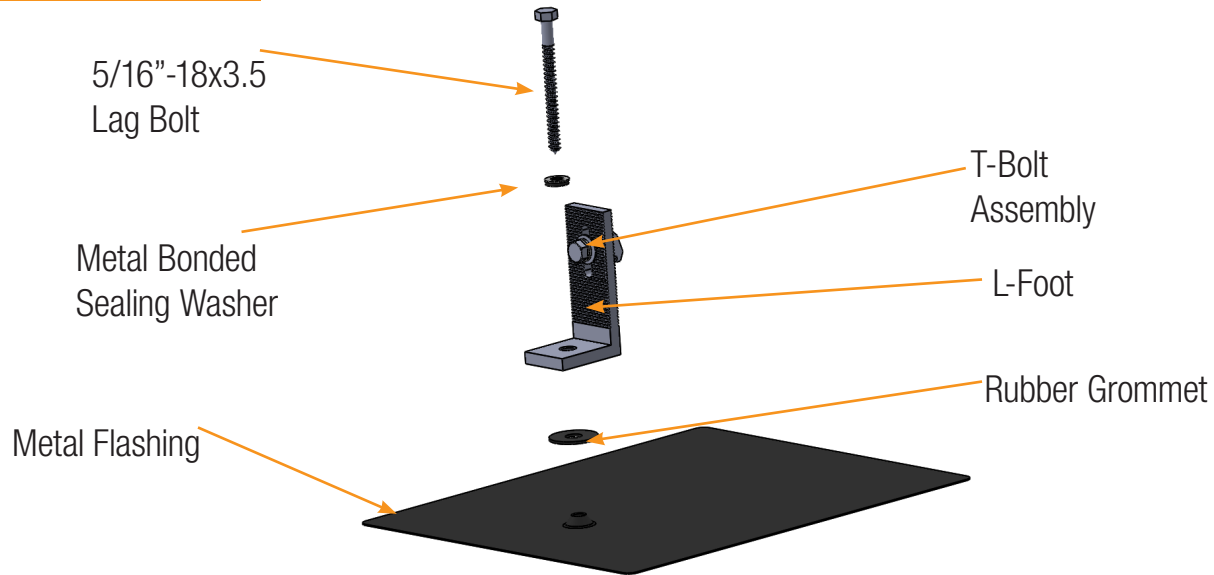
Features:

- Weight: 0.617lb
- Flashing Material: 3003-H14 Aluminum Matte Black over Clear Epoxy
- L-Foot Material: 6063 T6 Aluminum
- Hardware Material: Stainless Steel
- Pre-Assembled
- 3-Part water sealant system



Shingle Roof Flashing Kit

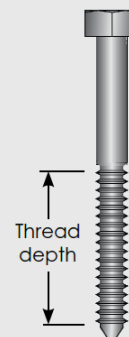
Installation Overview



- Locate rafters and chalk horizontal and vertical lines to mark location of penetrations. Drill 1/4" holes and backfill with sealant.
- Slide flashing between composition shingle and line up dimple hole with pilot hole.
- Place rubber grommet on top of dimple, then the L-Foot, ensuring a secure fasten.
- Take 5/16"-18x3.5 Lag Bolt and tighten into rafter.

Lag pull-out (withdrawal) capacities (lbs) in typical roof lumber (ASD)

	Specific gravity	⁵ / ₁₆ " lag screw* specifications per inch thread depth
Douglas Fir, Larch	0.50	266
Douglas Fir, South	.46	235
Engelmann Spruce, Lodgepole Pine ¹	.46	235
Hem, Fir, Redwood (close grain)	.43	212
Hem, Fir (North)	.46	235
Southern Pine	.55	307
Spruce, Pine, Fir	.42	205
Spruce, Pine, Fir ²	.50	266



Sources: American Wood Council, NDS 2005, Table 11.2a, 11.3.2A.

Notes:

- (1) Thread must be embedded in the side grain of a rafter or other structural member integral with building structure.
- (2) Lag bolts must be located in the middle third of the structural member.
- (3) These values are not valid for wet service.
- (4) This table does not include shear capacities. If necessary, contact a local engineer to specify lag bolt size with regard to shear forces.
- (5) Install lag bolts with head and washer flush to surface (no gap). Do not over-torque.
- (6) Withdrawal design values for lag screw connections shall be multiplied by applicable adjustment factors if necessary. See Table 10.3.1 in the American Wood Council NDS for Wood Construction.

*Use flat washers with lag screws. t

¹MSR 1650 f & higher

²E of 2 million psi and higher grades of MSR and MEL