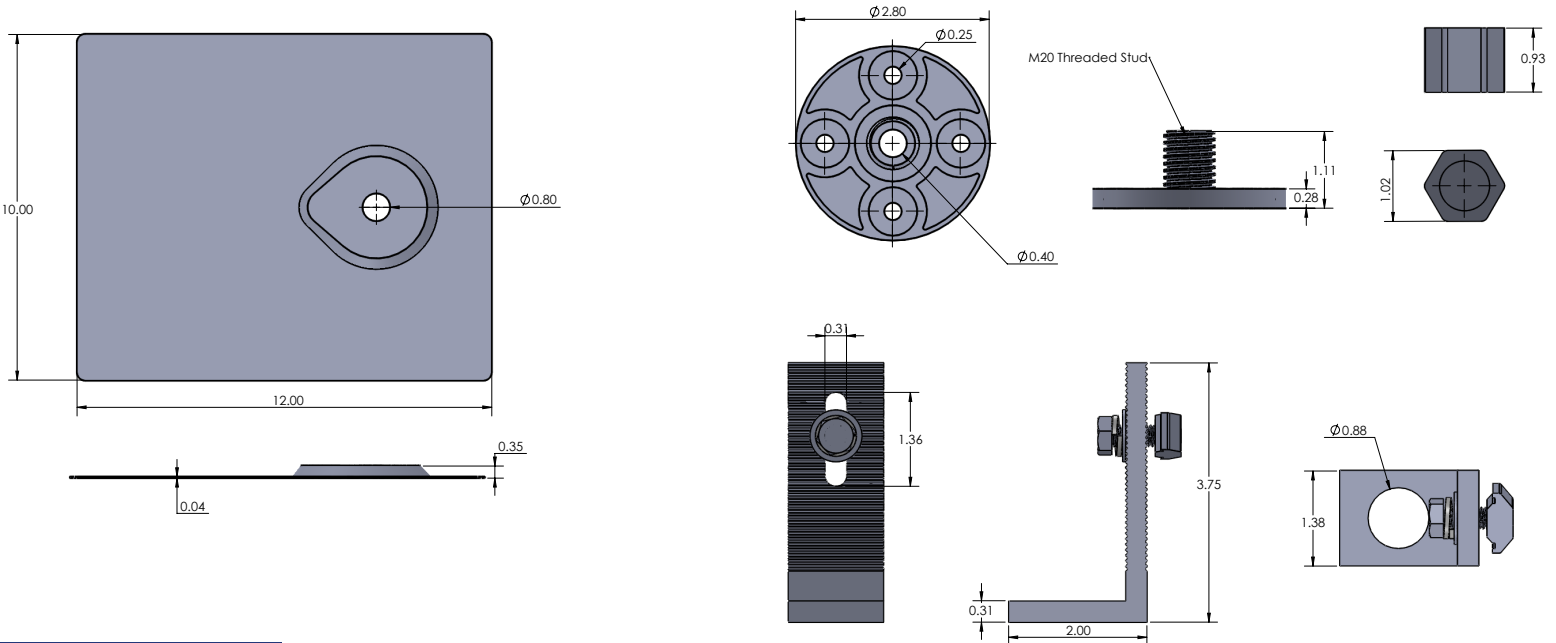


Smart Flashing Kit



Part #	Finish
GR-FLA-SM-LFT-10X12-CLR	Clear
GR-FLA-SM-LFT-10X12-BLK	Black



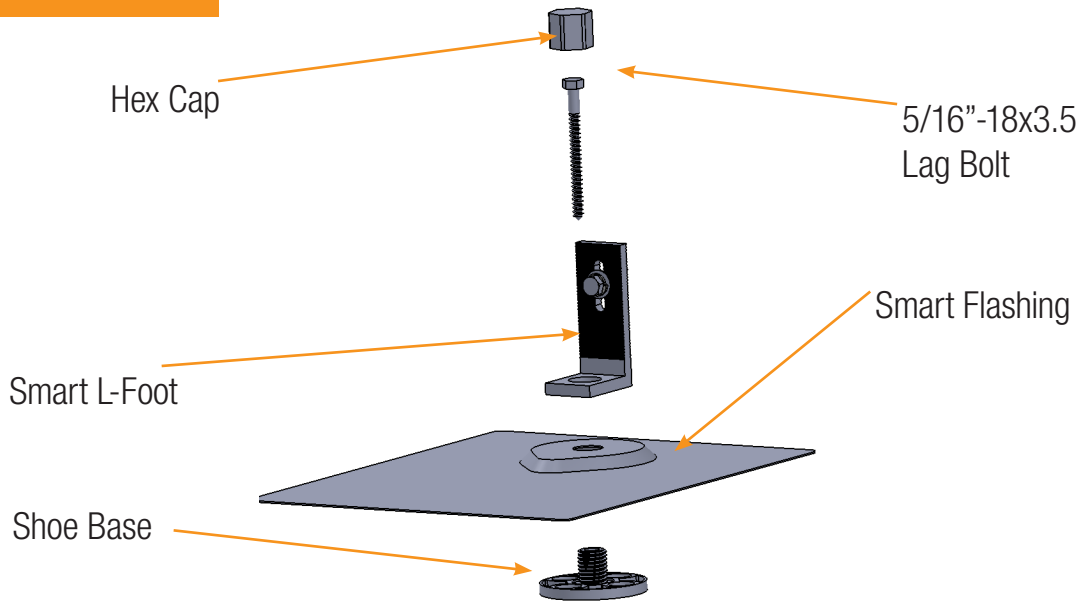
Features:

- Weight: 0.755lb
- Flashing Material: 3003-H14 Aluminum Matte Black over Clear Epoxy
- L-Foot Material: 6063 T6 Aluminum
- Shoe Base Material: Cast Aluminum
- Hardware Material: 300 Series Stainless Steel
- Pre-Assembled



Smart Flashing Kit

Installation Overview



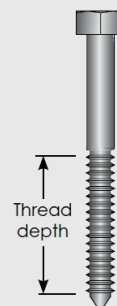
- Locate rafters and chalk horizontal and vertical lines to mark location of penetrations. Drill 1/4" holes and backfill with sealant.
- Align shoe base hole with pre-drilled hole and slide smart flashing between composition shingle, aligning with shoe base.
- Place Smart L-Foot on top of shoe base stud and tighten 5/16"-18x3.5 Lag Bolt through shoe base into rafter.
- Take Hex Cap and screw into shoe base stud, ensuring secure fit.

Lag pull-out (withdrawal) capacities (lbs) in typical roof lumber (ASD)

	⁵ / ₁₆ " lag screw* specifications	
	Specific gravity	per inch thread depth
Douglas Fir, Larch	0.50	266
Douglas Fir, South	.46	235
Engelmann Spruce, Lodgepole Pine ¹	.46	235
Hem, Fir, Redwood (close grain)	.43	212
Hem, Fir (North)	.46	235
Southern Pine	.55	307
Spruce, Pine, Fir	.42	205
Spruce, Pine, Fir ²	.50	266

¹MSR 1650 f & higher

²E of 2 million psi and higher grades of MSR and MEL



Sources: American Wood Council, NDS 2005, Table 11.2a, 11.3.2A.

Notes:

- (1) Thread must be embedded in the side grain of a rafter or other structural member integral with building structure.
- (2) Lag bolts must be located in the middle third of the structural member.
- (3) These values are not valid for wet service.
- (4) This table does not include shear capacities. If necessary, contact a local engineer to specify lag bolt size with regard to shear forces.
- (5) Install lag bolts with head and washer flush to surface (no gap). Do not over-torque.
- (6) Withdrawal design values for lag screw connections shall be multiplied by applicable adjustment factors if necessary. See Table 10.3.1 in the American Wood Council NDS for Wood Construction.

*Use flat washers with lag screws. t