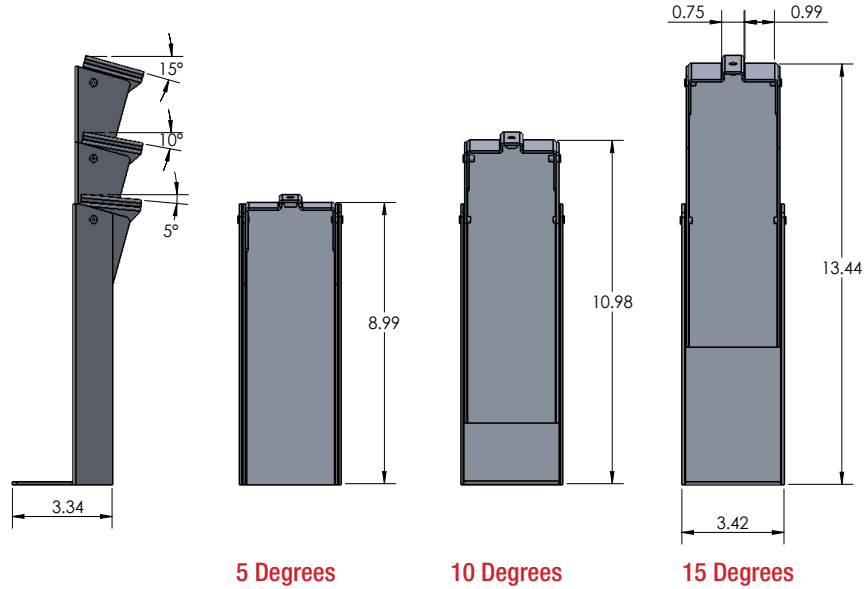


## High Bracket



### Features:

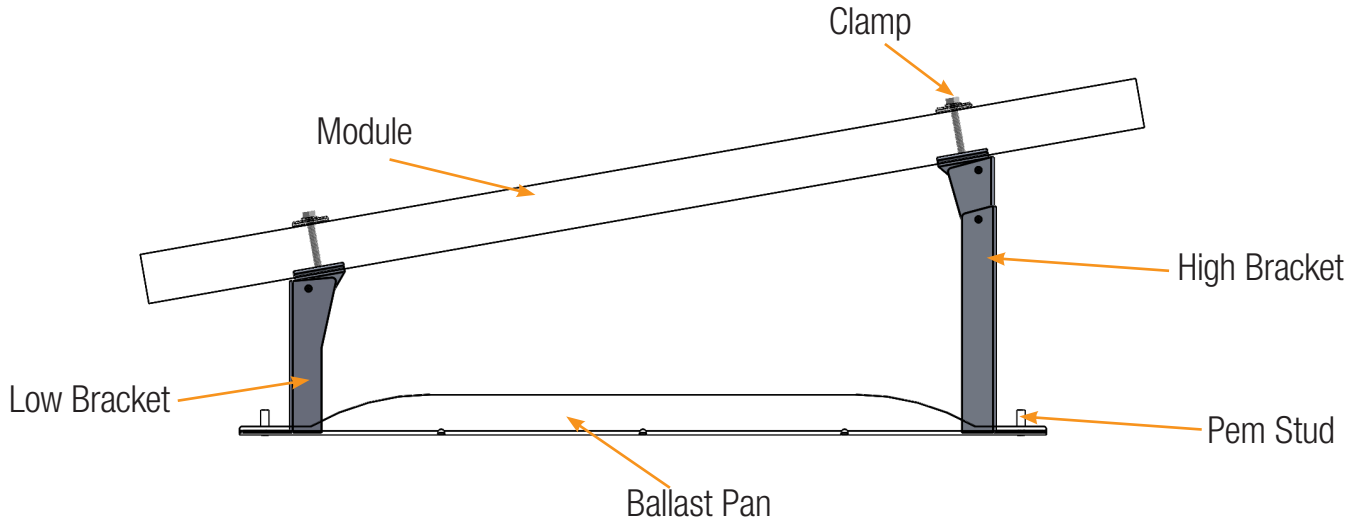
- Material: 5052 Aluminum
- Available in 5°, 10°, and 15°
- Integrated spacing between modules (0.75in)
- Weight:

Part #	Weight (lbs)
OSB-HB-5	0.55
OSB-HB-10	0.88
OSB-HB-15	0.88



## High Bracket

### Installation Overview



- Place brackets on Ballast Pan using pem studs as shown.
- Do not fasten pem nuts until connect belts have been attached as well.

### Completed Install

