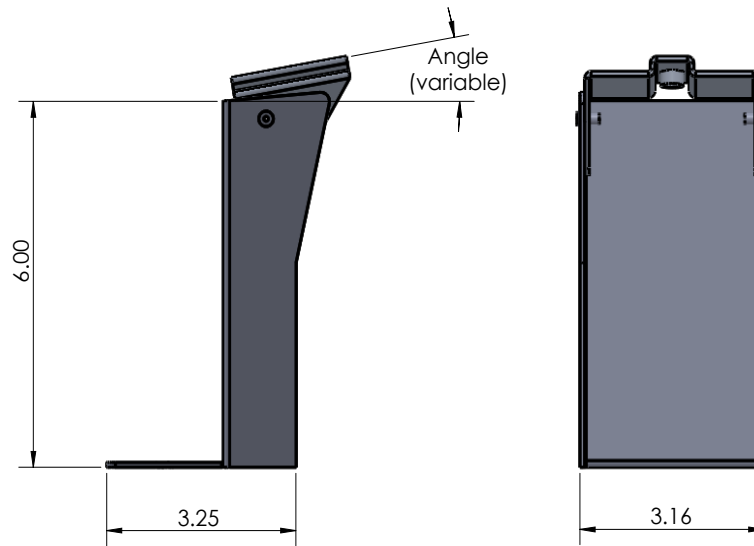


Low Bracket



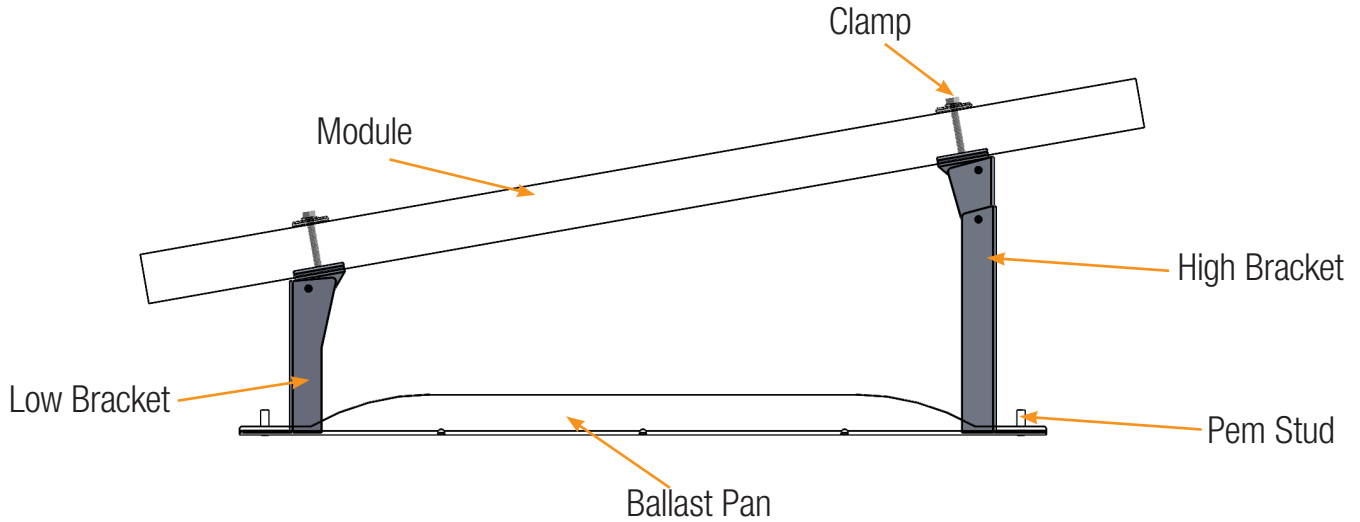
Features:

- Material: 5052 Aluminum
- Available for desired tilt angle.
- Weight: 0.394 lbs
- Integrated spacing between modules (0.75in)



Low Bracket

Installation Overview



- Place brackets on Ballast Pan using pem studs as shown.
- Do not fasten pem nuts until connect belts have been attached as well.

Completed Install

