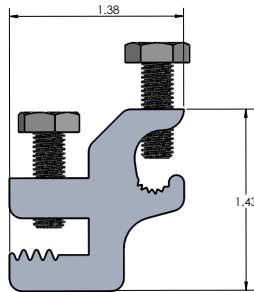
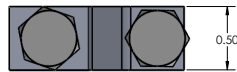
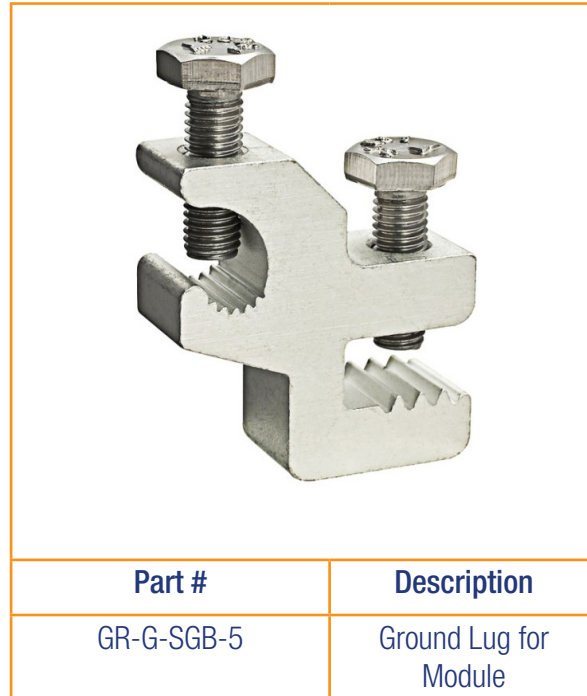


SGB-5 Ground Lug



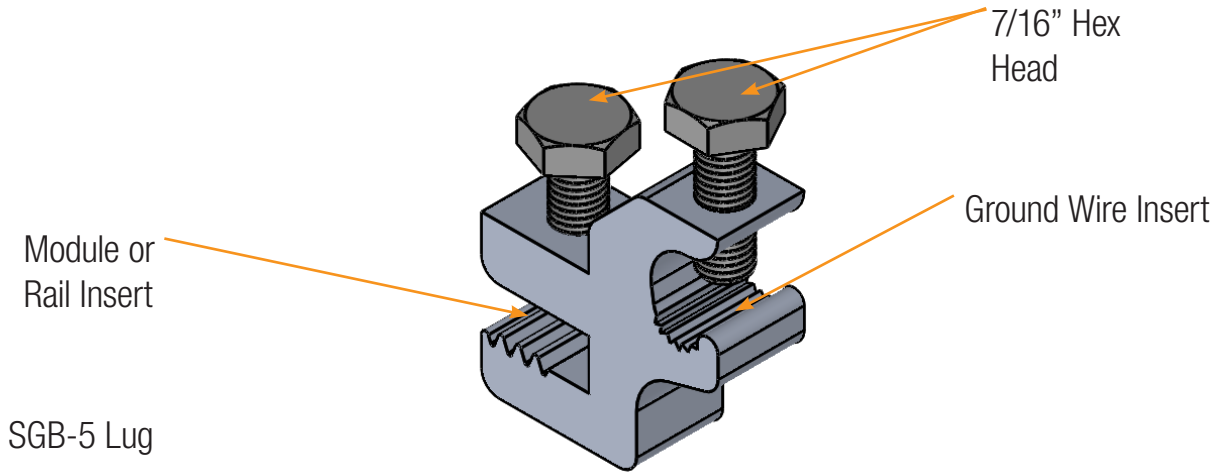
Features:

- Weight: 0.0765lb
- Material: 6061 T6 Aluminum
- Pre-Assembled
- Integrated Grounding from Module/Rail to Grounding Wire
- Supports most gauge sizes
- Conforms to UL STD 2703

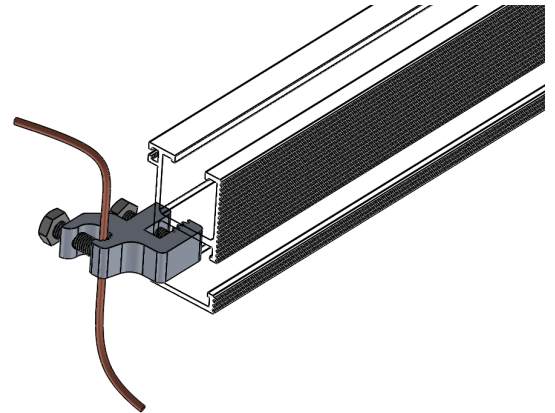


SGB-5 Ground Lug

Installation Overview



- Place SGB-5 Lug at end of the rail or module.
- Tighten 7/16" Hex Head to 35 in-lbs.
- Place grounding wire through next insert and tighten 7/16" Hex Head to 35 in-lbs.



Completed Install

