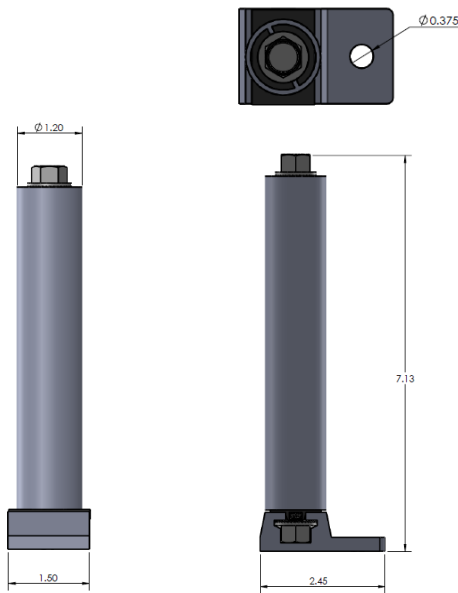


Standoffs



Features:

- Material 6063 T6 Aluminum
- Hardware Material: 300 Series Stainless Steel
- Available in 3" or 6"
- Weight:

Length	Weight (lbs)
3in	0.3625
6in	0.48



