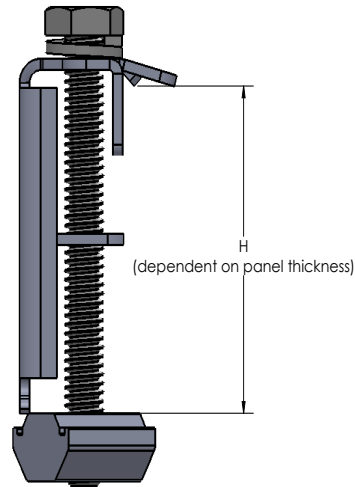
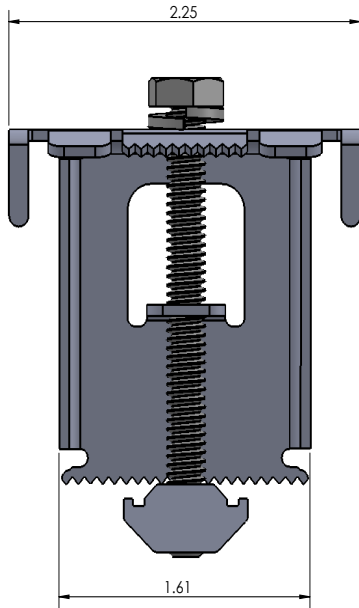


## Grounding End Clamp

	Part #	Module Thickness (mm)	Finish
	GR-EC-G-31-CLR	31	Clear
	GR-EC-G-35-CLR	35	
	GR-EC-G-40-CLR	40	
	GR-EC-G-45-CLR	45	
	GR-EC-G-46-CLR	46	
	GR-EC-G-50-CLR	50	
	GR-EC-G-31-BLK	31	Black
	GR-EC-G-35-BLK	35	
	GR-EC-G-40-BLK	40	
	GR-EC-G-45-BLK	45	
	GR-EC-G-46-BLK	46	
GR-EC-G-50-BLK	50		



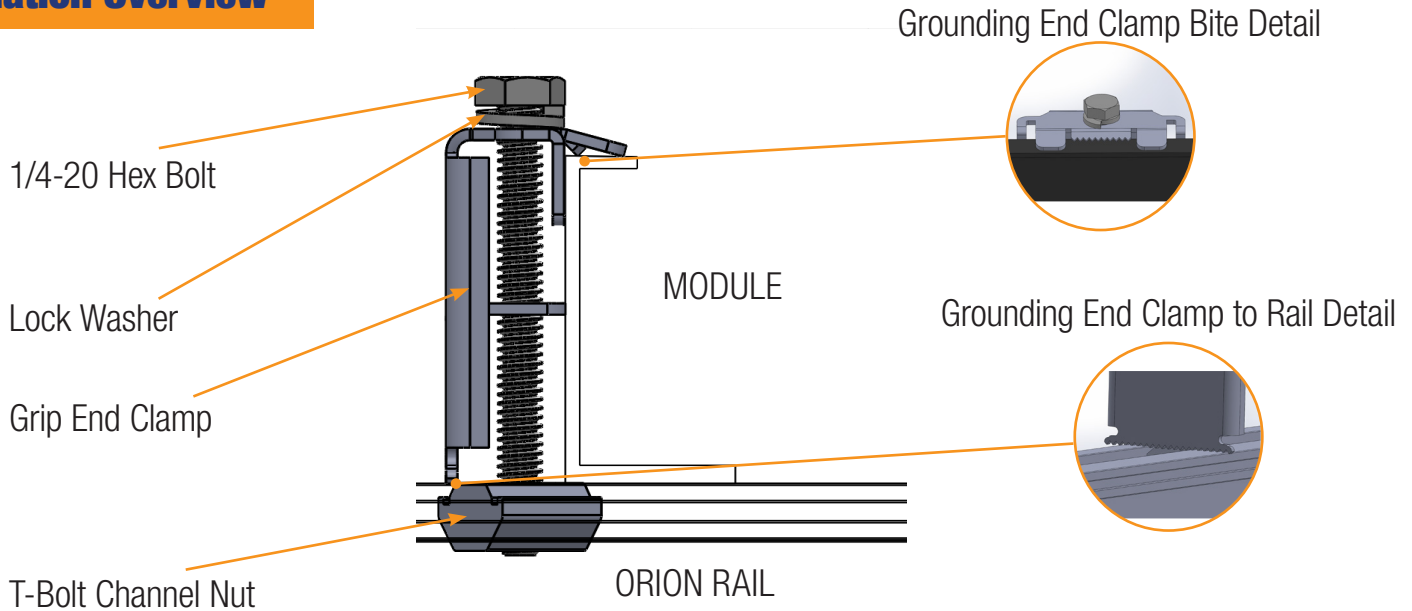
### Features:

- Weight: 0.147lb (Including Hardware)
- End Clamp Material: 300 series stainless steel
- Hardware Material: 300 series stainless steel
- Preassembled
- Integrated Grounding System
- Conforms to UL STD 2703



## Grounding End Clamp

### Installation Overview



- Place End Clamps at the end modules at suggested span per module manufacturer's specifications.
- Mount End Clamps such that End Clamps rest evenly with modules and teeth bite into module frame.
- Ensure that the channel nut "grabs" rail extrusion, and tighten hex bolt to **75** in-lbs of torque.

