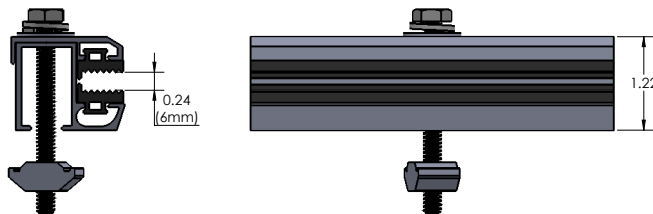
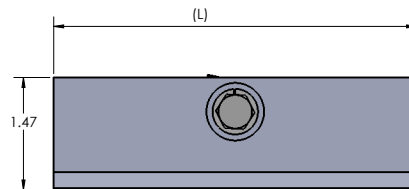


Frameless End Clamp



Part #	Description
GR-EC-FLESS-120	End Clamp, Frameless 120 mm
GR-EC-FLESS-200	End Clamp, Frameless 200 mm



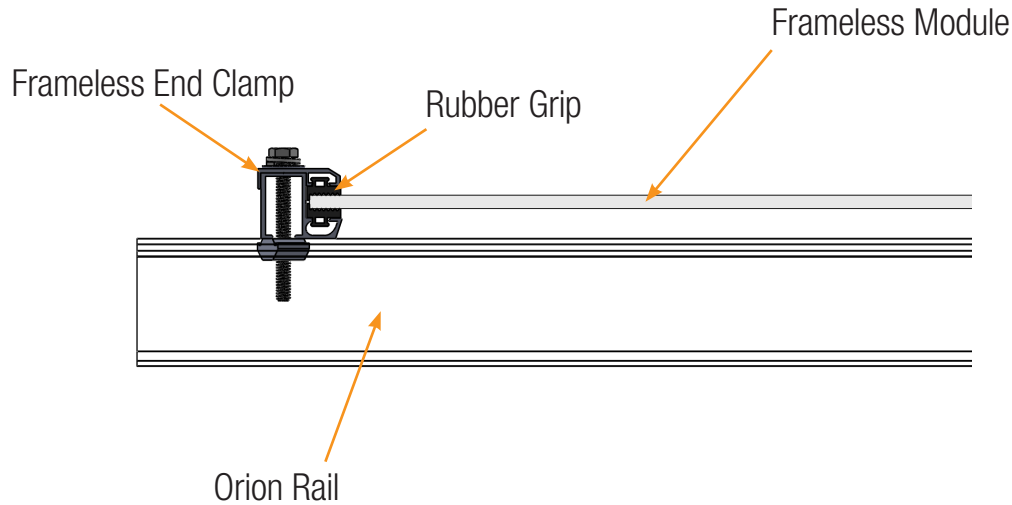
Features:

- Weight: 0.303-0.481lbs
- Material: Aluminum
- Hardware Material: 300 Series Stainless Steel
- Ideal for frameless module as thin as 6mm



Frameless End Clamp

Installation Overview



- Place Frameless End Clamp at end of module at suggested span per module manufacturer's specification.
- Ensure that End Clamp rubber grip covers as much of the module and tighten to 90 in-lbs of torque.

Completed Install

