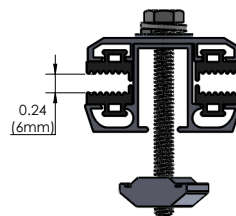
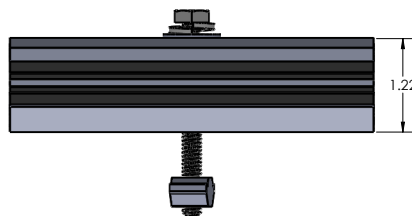
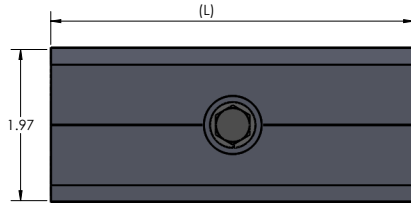


## Frameless Mid Clamp



Part #	Description
GR-MC-FLESS-120	Mid Clamp, Frameless 120 mm
GR-MC-FLESS-200	Mid Clamp, Frameless 200 mm



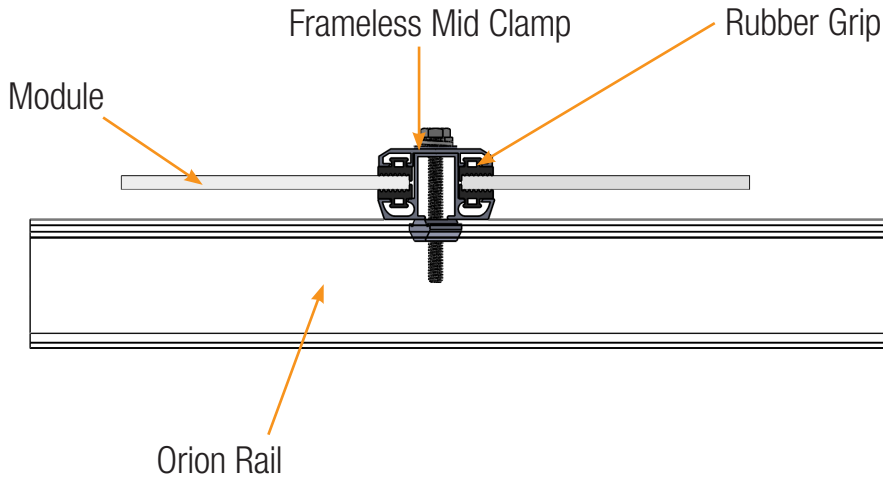
### Features:

- Weight: 0.417-0.662lbs
- Material: Aluminum
- Hardware Material: 300 Series Stainless Steel
- Ideal for frameless module as thin as 6mm



## Frameless Mid Clamp

### Installation Overview



- Place Frameless Mid Clamp between modules at suggested span per module manufacturer's specification.
- Ensure that Mid Clamp rubber grips cover as much of the module as possible and tighten to 90 in-lbs of torque.

### Completed Install

