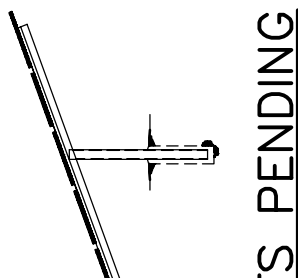


All drawings are subject to copyright protection by law. Reproduction in any form is expressly forbidden without prior approval in writing from PZSE, INC.

**PZSE**  
STRUCTURAL ENGINEERS  
PZSE, INC.  
6100 SIERRA COLLEGE BLVD.,  
ST. 150  
ROSELAND, CA 95661  
OFFICE: (916) 961-3960  
FAX: (916) 961-3965  
WWW.PZSE.COM



THIS DRAWING IS NOT TO BE CONSIDERED FINAL NOR IS IT TO BE USED FOR CONSTRUCTION UNLESS STAMPED AND SIGNED BY THE PROJECT ENGINEER.



**Jupiter II Ground Mount Solar Structure**  
Risk/Occupancy Category: I  
Wind Speed: 100 mph max. Exposure C  
Snow Load: 0psf Max



DRAWING EDITION/REF JOB #

REVISIONS:

JOB NUMBER:  
**GR-GM-JII**

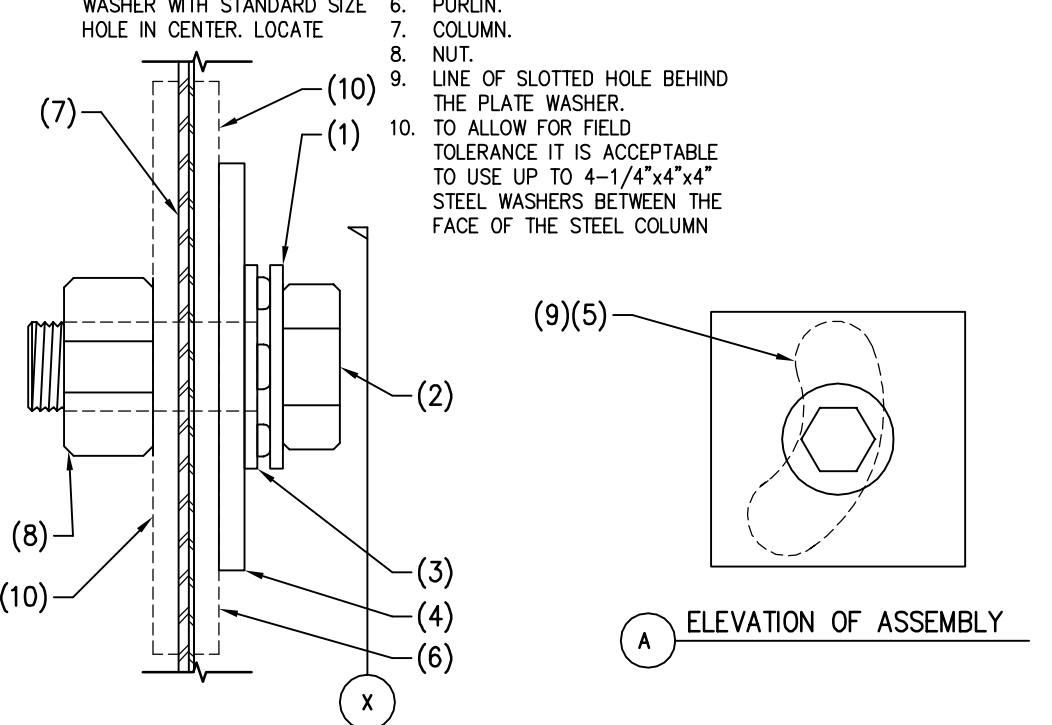
DRAWN: **CS** ENGINEER: **CS** CHECKED:

DATE: **05/31/2016**

SHEET:

NOTES:

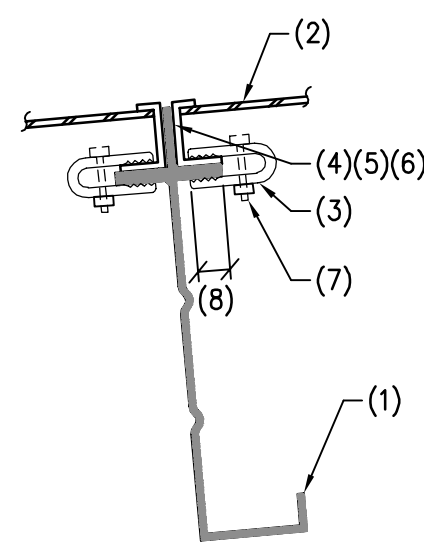
- ASTM F436 WASHER.
- 1" DIA A325 BOLT.
- DTI WASHER.
- 2"x2"x1/4" THICK GRADE 50 (Fy = 50 ksi) STEEL PLATE WASHER WITH STANDARD SIZE HOLE IN CENTER. LOCATE
- MAX SLOTTED HOLE IN PURLIN ONLY.
- LONG SLOTTED HOLE IN PURLIN ONLY.
- PURLIN.
- COLUMN.
- NUT.
- LINE OF SLOTTED HOLE BEHIND THE PLATE WASHER.
- TO ALLOW FOR FIELD TOLERANCE IT IS ACCEPTABLE TO USE UP TO 4-1/4"x4"x4" STEEL WASHERS BETWEEN THE FACE OF THE STEEL COLUMN



**04** SLIP CRITICAL BOLT INSTALLATION AT BEAM TO COLUMN CONNECTION 13-386 NO SCALE

NOTES:

- SOLAR PURLIN.
- PV MODULE IN ALUMINUM FRAME.
- 16 GA GATOR MODULE CLIP (Fy=50ksi) W/ G90 GALVANIZATION.
- 0.25" MAXIMUM GAP.
- LOCATE CLIPS PER ISOMETRIC DWG ON THIS SHEET.
- TIGHTEN TO 12.78 FT-LB.
- GRADE 5 1/4" DIA BOLT W/ NUT, GALVANIZED PER ASTM F 2329.
- MIN 3/4" BEARING ON PURLIN.
- FEELER GAGE CHECK LOCATION.

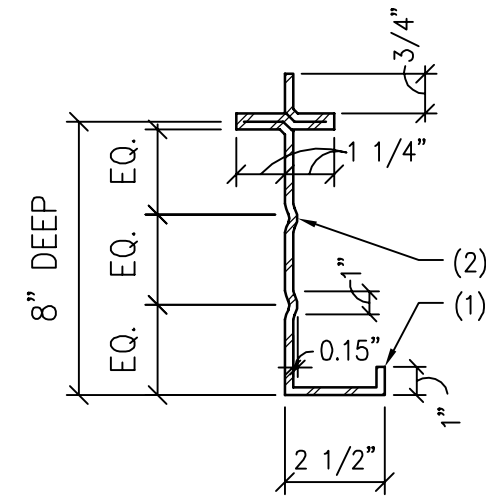


GATOR MODULE CLIP

**05** PV MODULE CLIP TO PURLIN 12-895.6 NO SCALE

NOTES:

- PURLIN.
- TWO STIFFENING RIBS SPACED EQUALLY IN WEB.

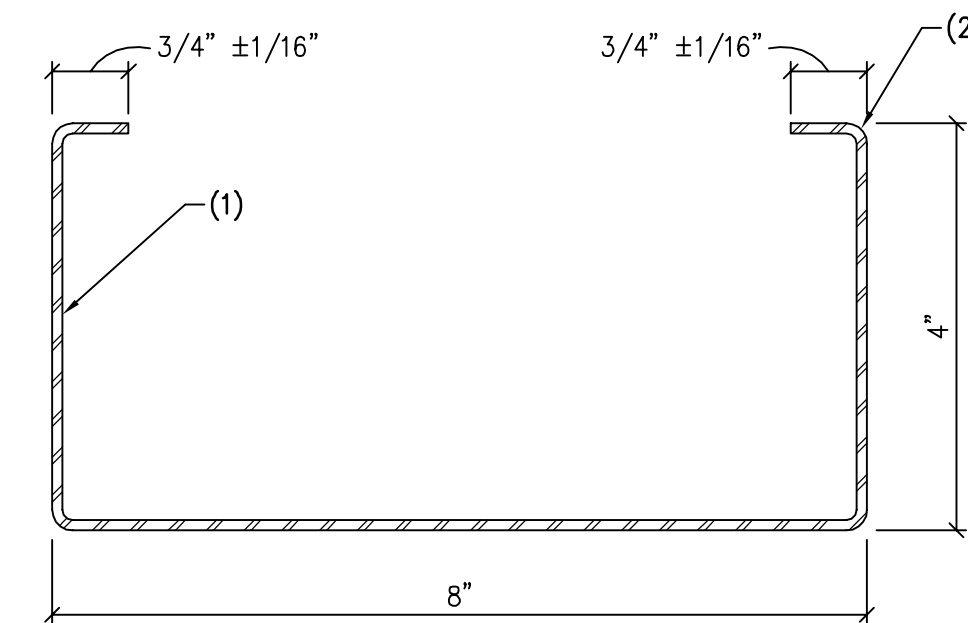


NOTE: FOR ADDITIONAL INFORMATION, SEE PURLIN SCHEDULE AT SECTION B ON THIS SHEET.

**01** POWERS 'SOLAR' PURLIN 12895.6 NO SCALE

NOTES:

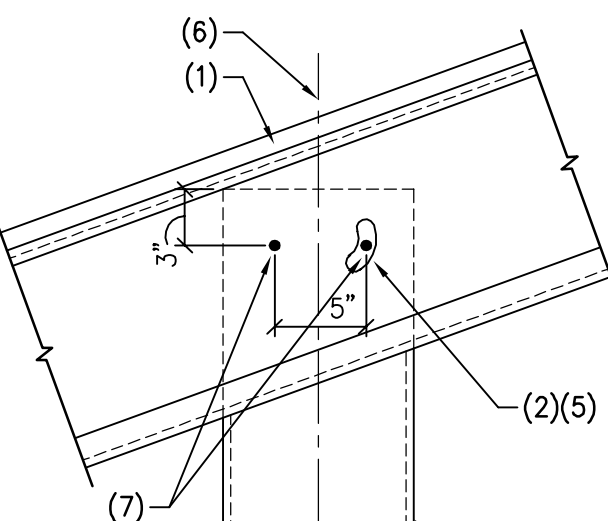
- STEEL COLUMN - 12 GAUGE MIN.
- RADIUS = 0.020" MIN 0.350" MAX



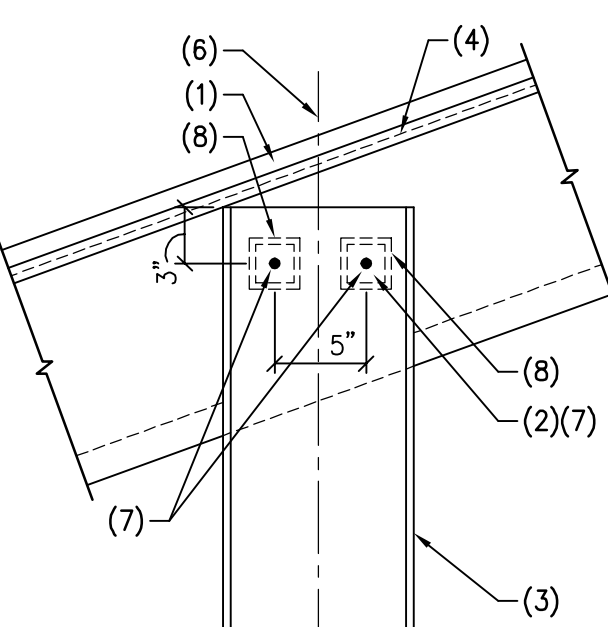
**02** STEEL COLUMN 12-895.6 NO SCALE

NOTES:

- PV MODULE NOT SHOWN FOR CLARITY.
- (2) 1" DIA A325 SLIP CRITICAL BOLTS WITH 1/4"x2"x2" STEEL PLATE WASHER.
- STEEL COLUMN.
- STEEL PURLIN.
- ONE STANDARD HOLE IN PURLIN AND ONE LONG SLOTTED HOLE IN AN ARC SHAPE IN PURLIN.
- CENTERLINE OF COLUMN.
- STANDARD HOLE IN COLUMNS.
- TO ALLOW FOR FIELD TOLERANCE IT IS ACCEPTABLE TO USE UP TO 4-1/4"x4"x4" STEEL WASHERS BETWEEN THE FACE OF THE STEEL COLUMN AND THE FACE OF THE 1/4"x2"x2" WASHER OR BETWEEN THE NUT AND THE COLUMN.

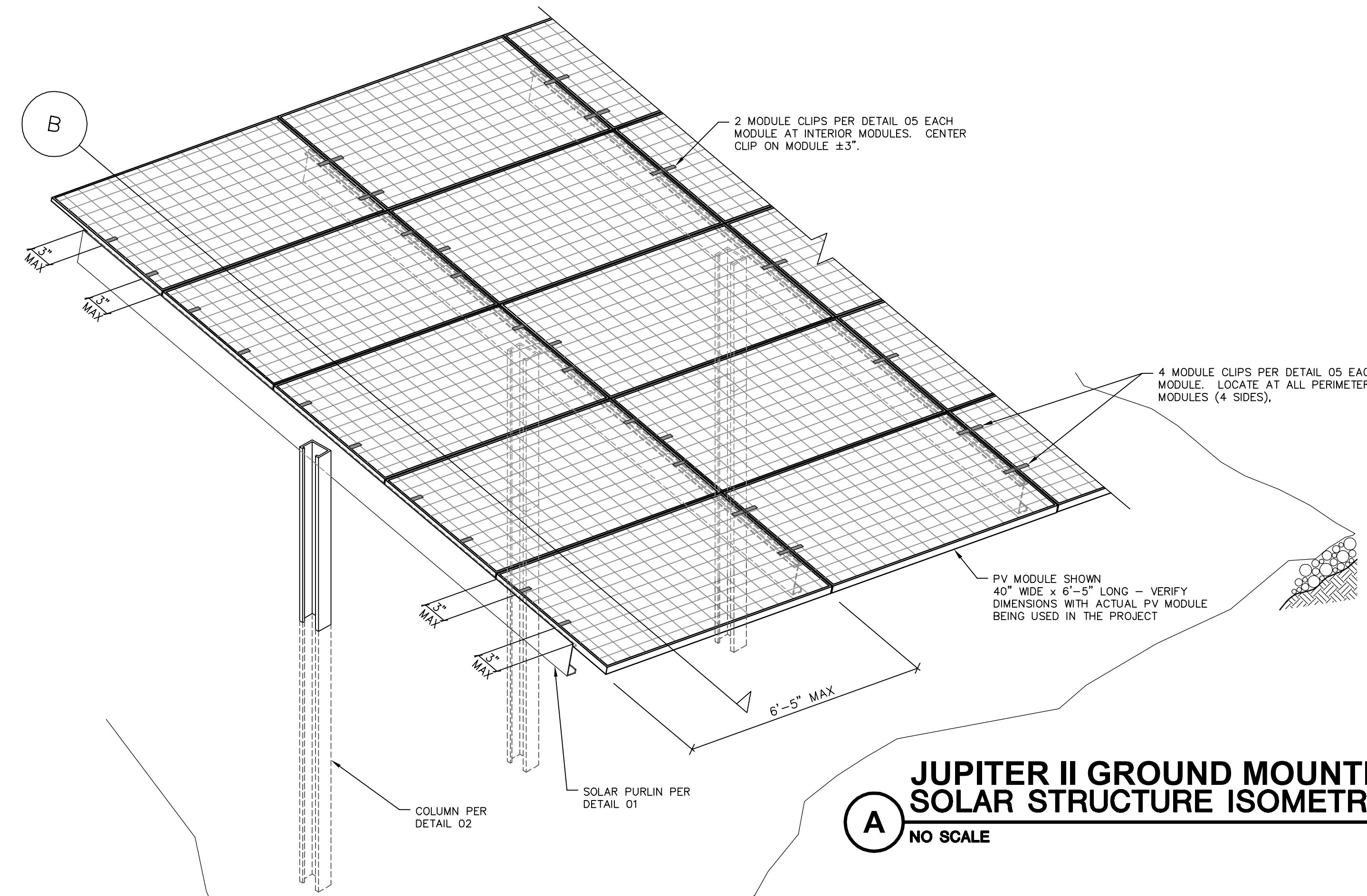


HOLES IN PURLIN FOR 1" DIA BOLTS

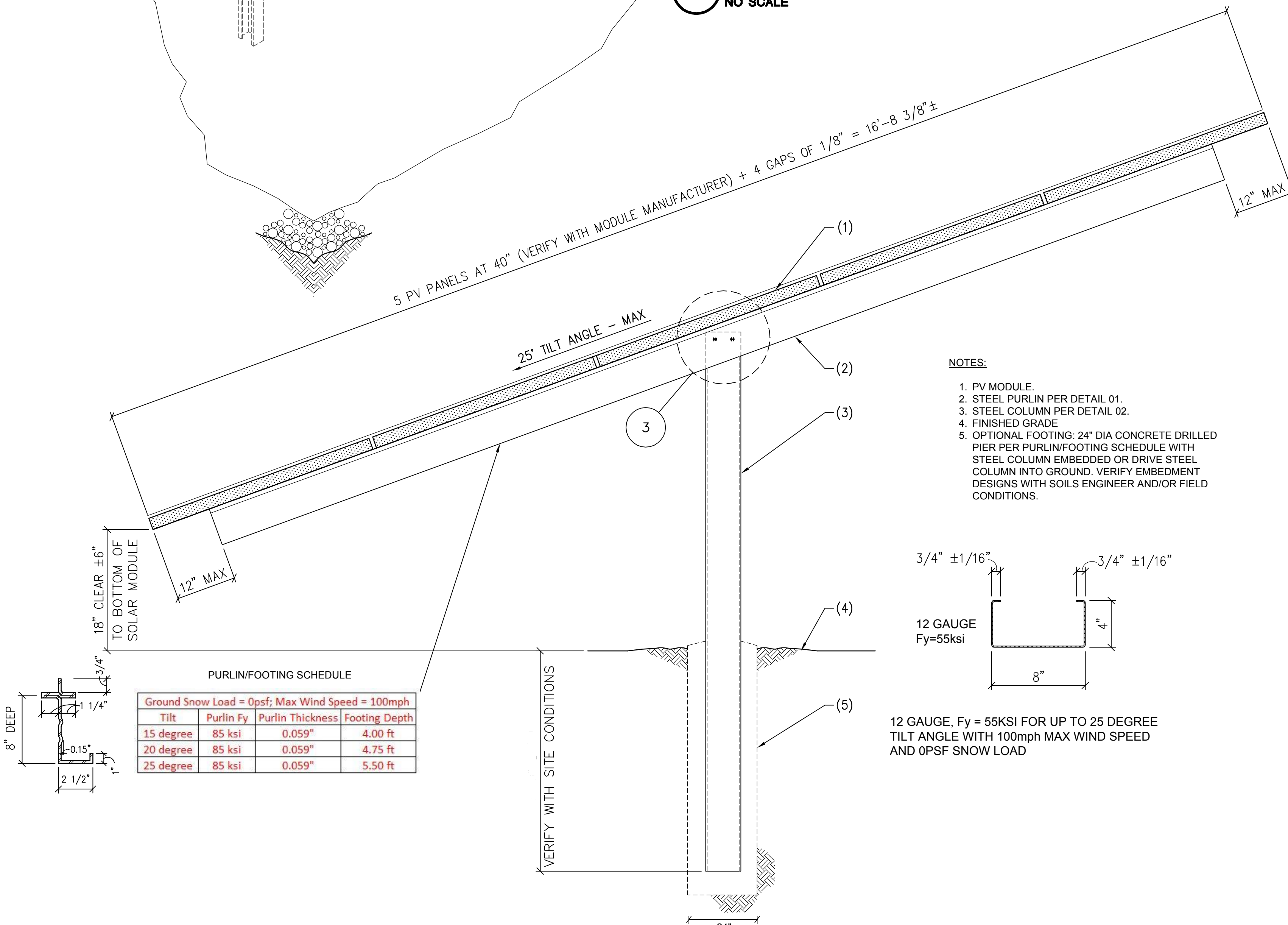


HOLES IN COLUMN FOR 1" DIA BOLTS

**03** PURLIN TO COLUMN 12-895.6 NO SCALE



**A** JUPITER II GROUND MOUNTED SOLAR STRUCTURE ISOMETRIC NO SCALE



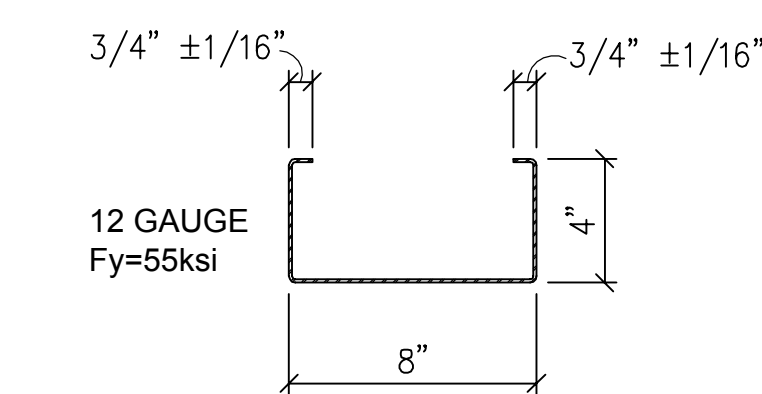
PURLIN/FOOTING SCHEDULE

| Tilt      | Purlin Fy | Purlin Thickness | Footing Depth |
|-----------|-----------|------------------|---------------|
| 15 degree | 85 ksi    | 0.059"           | 4.00 ft       |
| 20 degree | 85 ksi    | 0.059"           | 4.75 ft       |
| 25 degree | 85 ksi    | 0.059"           | 5.50 ft       |

Ground Snow Load = 0psf; Max Wind Speed = 100mph

NOTES:

- PV MODULE.
- STEEL PURLIN PER DETAIL 01.
- STEEL COLUMN PER DETAIL 02.
- FINISHED GRADE
- OPTIONAL FOOTING: 24" DIA CONCRETE DRILLED PIER PER PURLIN/FOOTING SCHEDULE WITH STEEL COLUMN EMBEDDED OR DRIVE STEEL COLUMN INTO GROUND. VERIFY EMBEDMENT DESIGNS WITH SOILS ENGINEER AND/OR FIELD CONDITIONS.



12 GAUGE, Fy = 55KSI FOR UP TO 25 DEGREE TILT ANGLE WITH 100mph MAX WIND SPEED AND 0PSF SNOW LOAD

**B** JUPITER II GROUND MOUNTED SOLAR STRUCTURE SECTION NO SCALE