

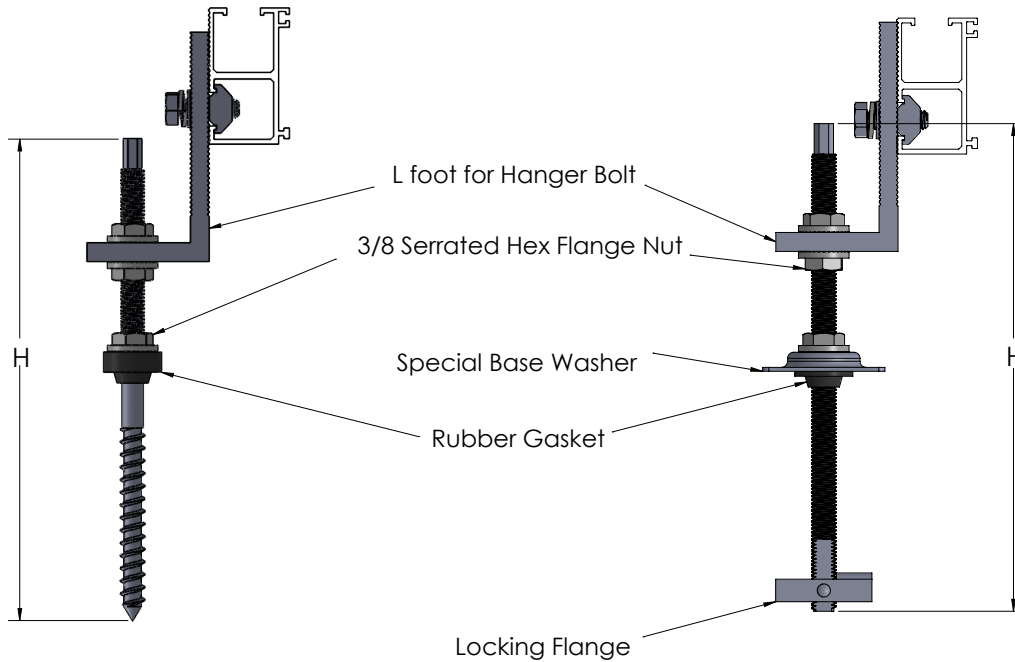


## Hanger Bolts for Metal Roof

 <p><b>Hanger Bolt for Wooden Rafter</b></p>		 <p><b>Hanger Bolt for Metal Rafter</b></p>	
Part #	Description	Part #	Description
GR-HBW-M10X(H)MM	Heavy Hanger Bolt for metal roof with wooden rafter	GR-HBM-M10X200MM	Heavy Hanger Bolt for metal roof with metal rafter



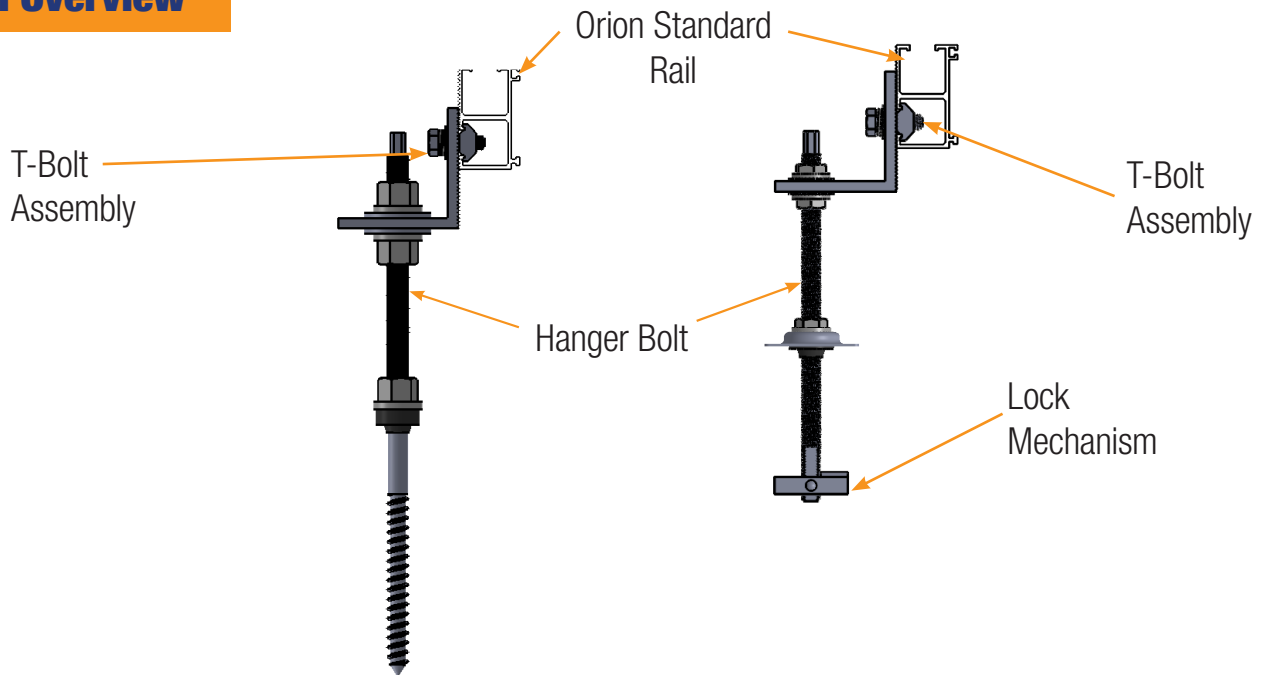
### Features:

- Weight: 1.688lb
- Angle Material: 6000 Series Aluminum
- Hardware Material: 300 Series Stainless Steel
- Also available for metal rafters
- Available in sizes M10x200mm, M10x250mm, M10x300mm (Metal Rafter version only available in M10x200mm)



## Hanger Bolts for Metal Roof

### Installation Overview



- Locate rafters beneath metal roof and mark location of attachment.
- Pre-drill through metal roof and through rafter.
- Drill hanger bolt through pilot hole, and adjust rubber grommet such that it creates a tight seal with metal roof.
- If metal rafter, make sure to flip lock mechanism at end to prevent hanger bolt from slipping out.
- Once secure and sealed tight, use T-Bolt assembly to attach to rail.

